

Aerogen® Aerogen® Multi-Mount Bracket

Instructions for Use

Read and study all instructions before using
the Aerogen® Multi-Mount Bracket



Aerogen[®]

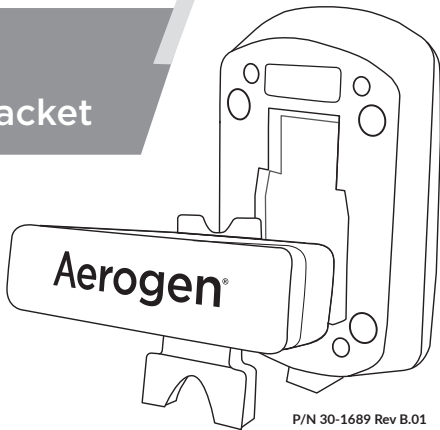
Multi-Mount Bracket



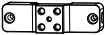
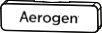





Manufacturer

Aerogen Ltd.,
Galway Business Park,
Dangan, Galway,
Ireland

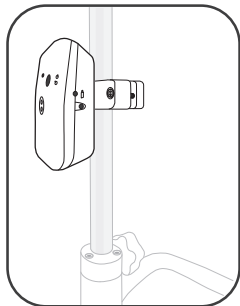
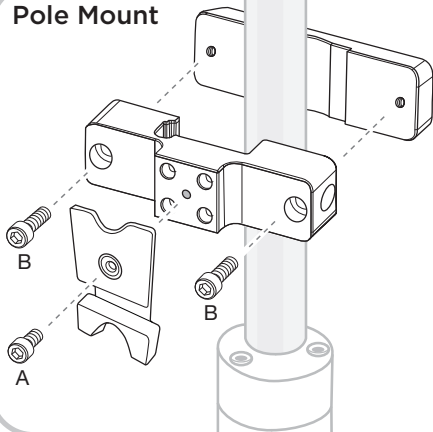
US. +1 (866) 423-7643
e. info@aerogen.com
w. www.aerogen.com



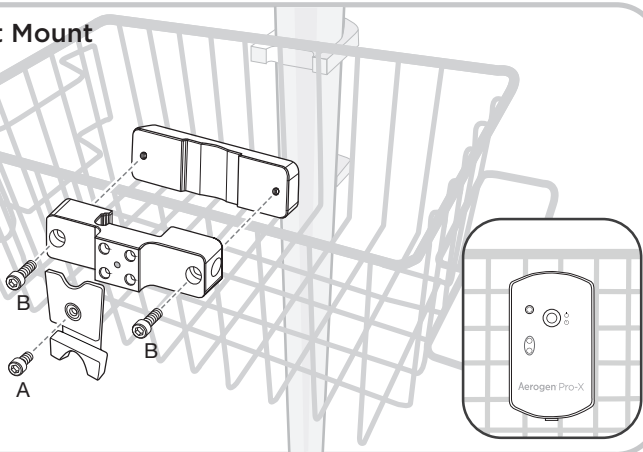
P/N 30-1689 Rev B.01

Bracket Components		Pole	Basket	Rail
	Front Plate	✓	✓	✓
	Back Plate	✓	✓	✗
	Interface	✓	✓	✓
	Screw A M5 x 10mm	✓	✓	✓
	Screw B M5 x 25,30,35,40mm	✓	25mm only	✗
	Screw C	✗	✗	✓
	Allen Key	✓	✓	✓

Pole Mount

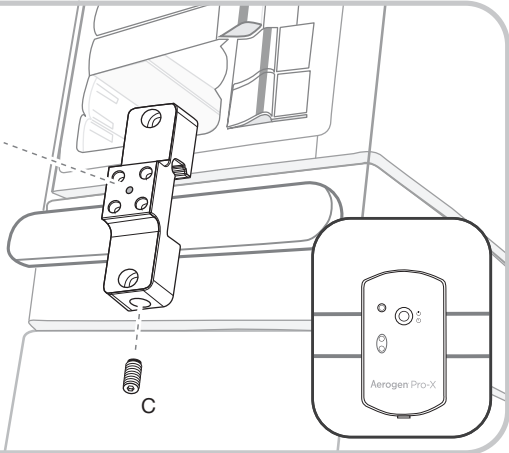
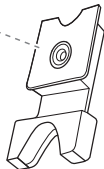


Basket Mount



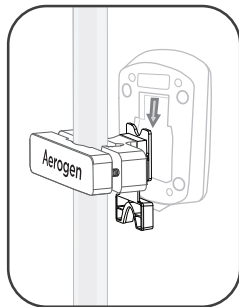
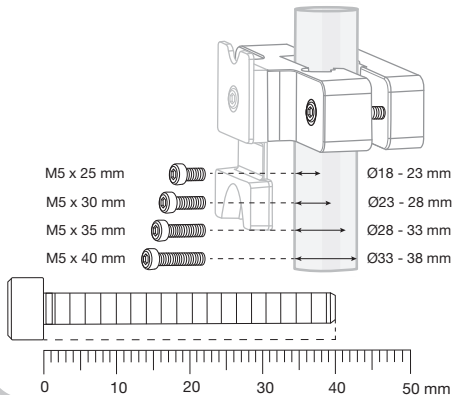
Rail Mount

A



C

Screw B Selection - Pole Diameter



Aerogen®

Многофункционална скоба за монтаж



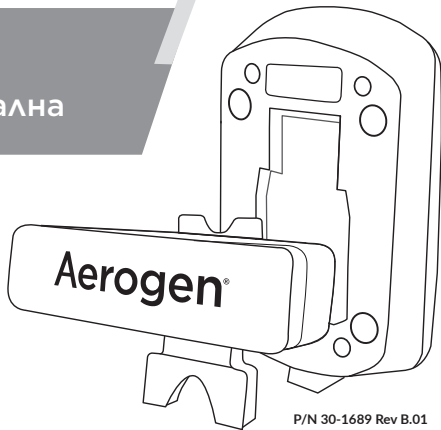
Производител

Aerogen Ltd.,
Galway Business Park,
Dangan, Galway,
Ирландия

US. +1 (866) 423-7643

e. info@aerogen.com

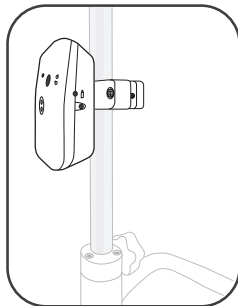
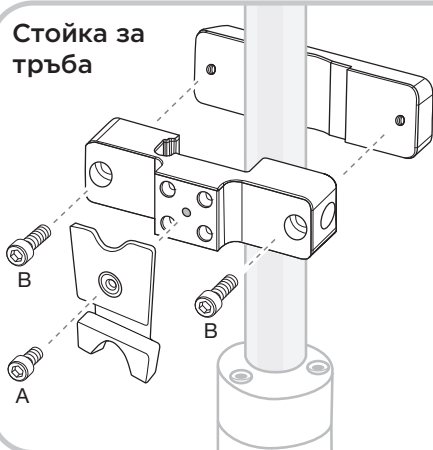
w. www.aerogen.com



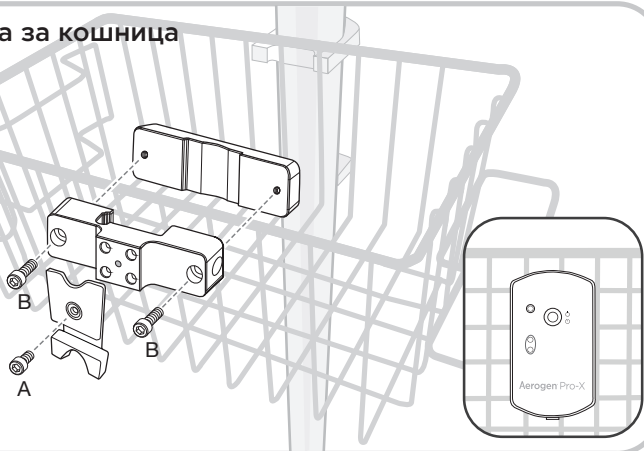
P/N 30-1689 Rev B.01

Компоненти на скобата		Тръба	Кошница	Релса
	Предна плоча	✓	✓	✓
	Задна плоча	✓	✓	✗
	Интерфейс	✓	✓	✓
	Винт А М5 x 10 мм	✓	✓	✓
	Винт В М5 x 25, 30, 35, 40 мм	✓	25 мм само	✗
	Винт С	✗	✗	✓
	Ключ шестограм	✓	✓	✓

Стойка за тръба

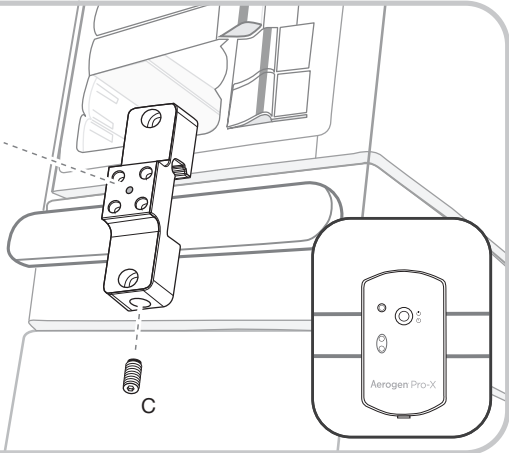
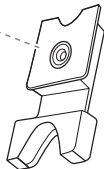


Стойка за кошница



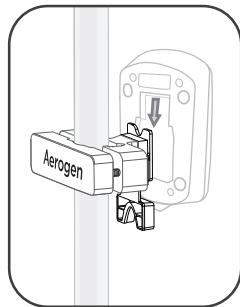
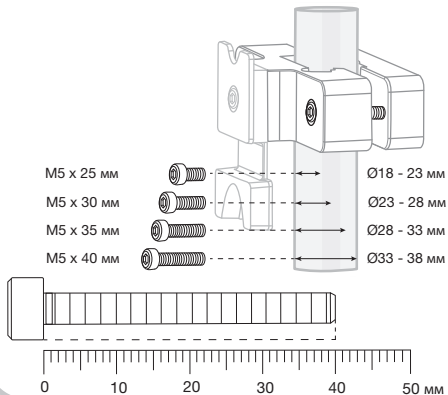
Стойка за релсат

A



C

Избор на винт В - диаметър на полюса



Aerogen®

Vícenásobný držák



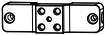
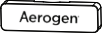





Výrobce

Aerogen Ltd.,
Galway Business Park,
Dangan, Galway,
Irsko

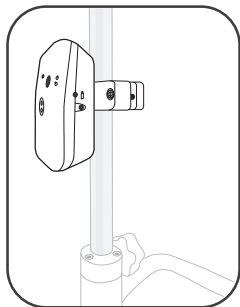
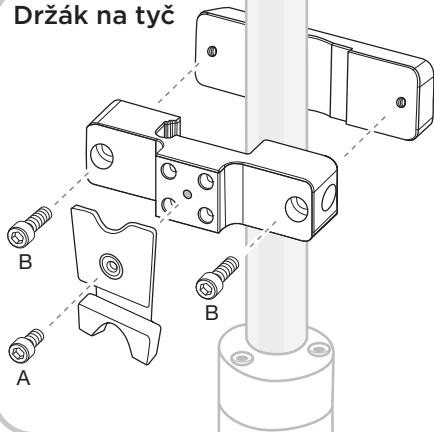
US. +1 (866) 423-7643
e. info@aerogen.com
w. www.aerogen.com



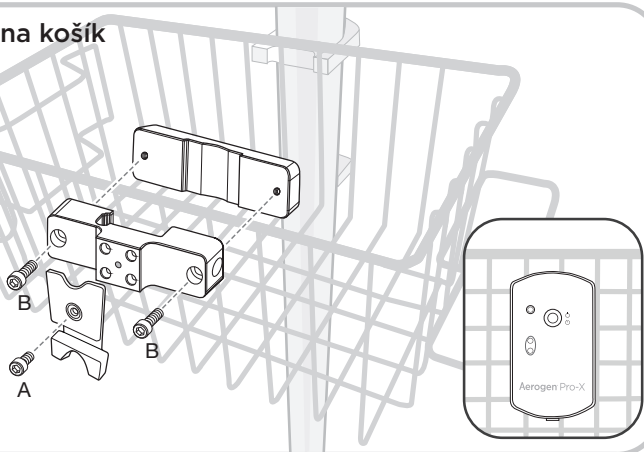
P/N 30-1689 Rev B.01

Komponenty držáku		Tyč	Košík	Kolejnice
	Přední deska	✓	✓	✓
	Zadní deska	✓	✓	✗
	Rozhraní	✓	✓	✓
	Šroub A M5 x 10 mm	✓	✓	✓
	Šroub B M5 x 25, 30, 35 a 40 mm	✓	25 mm pouze	✗
	Šroub C	✗	✗	✓
	Imbusový klíč	✓	✓	✓

Držák na tyč

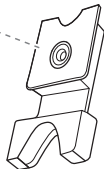


Držák na košík



Držák na kolejnici

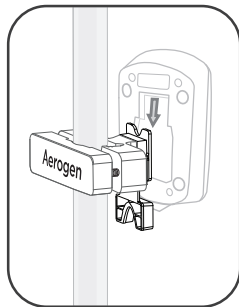
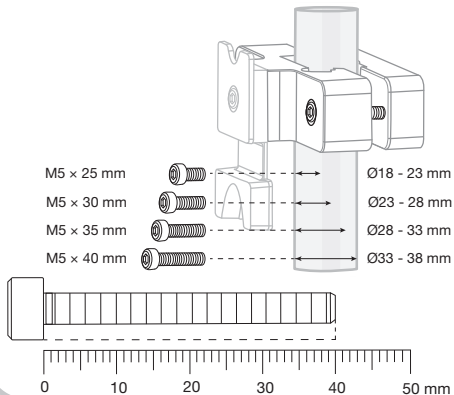
A



C



Výběr šroubu B - Průměr tyče



Aerogen®

Multimonteringsbeslag



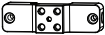
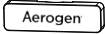





Producent

Aerogen Ltd.,
Galway Business Park,
Dangan, Galway,
Irland

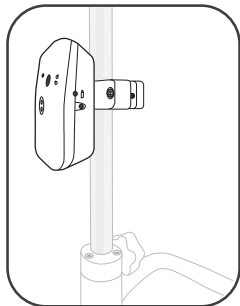
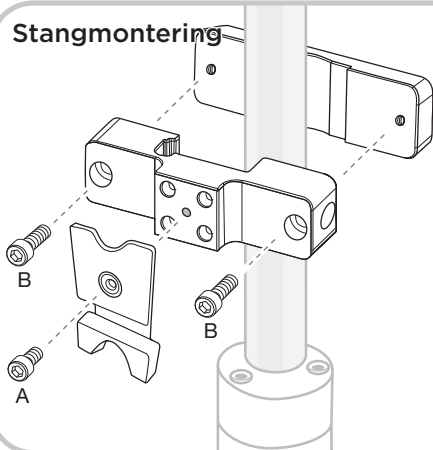
US. +1 (866) 423-7643
e. info@aerogen.com
w. www.aerogen.com



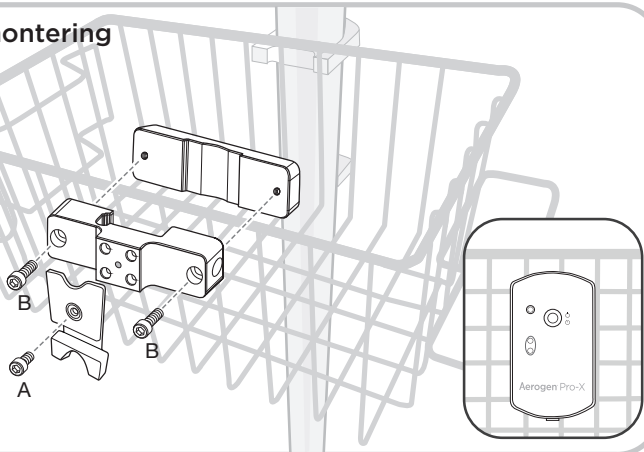
P/N 30-1689 Rev B.01

Beslagkomponenter		Stang	Kurv	Skinne
	Frontplade	✓	✓	✓
	Bagplade	✓	✓	✗
	Grænseflade	✓	✓	✓
	Skrue A M5 x 10 mm	✓	✓	✓
	Skrue B M5 x 25, 30, 35, 40 mm	✓	25 mm kun	✗
	Skrue C	✗	✗	✓
	Unbrakonøgle	✓	✓	✓

Stangmontering

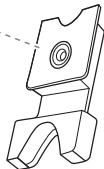


Kurvmontering



Skinnemontering

A

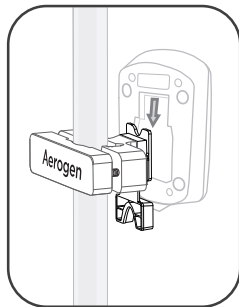
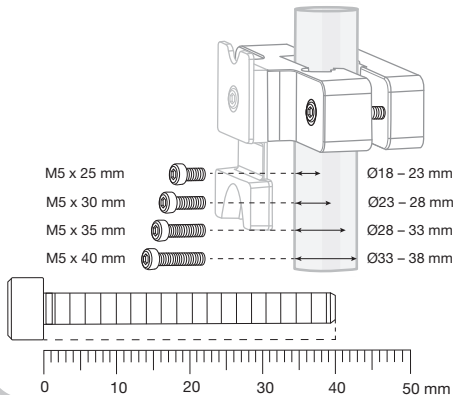


C



Aerogen Pro-X

Skrue B-valg - Stangdiameter



Aerogen[®]

Multimonteringsbeslag



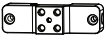
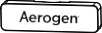





Producent

Aerogen Ltd.,
Galway Business Park,
Dangan, Galway,
Irland

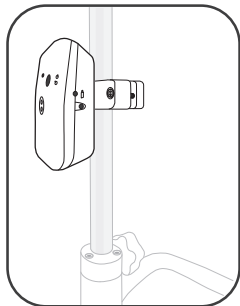
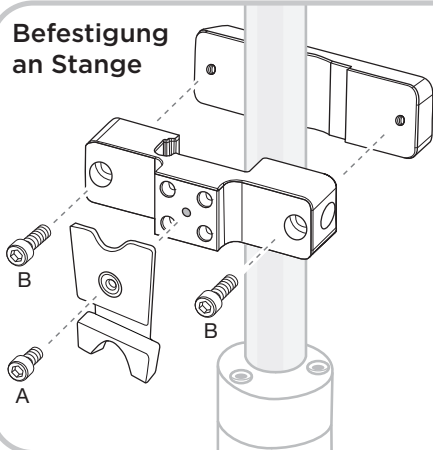
US. +1 (866) 423-7643
e. info@aerogen.com
w. www.aerogen.com



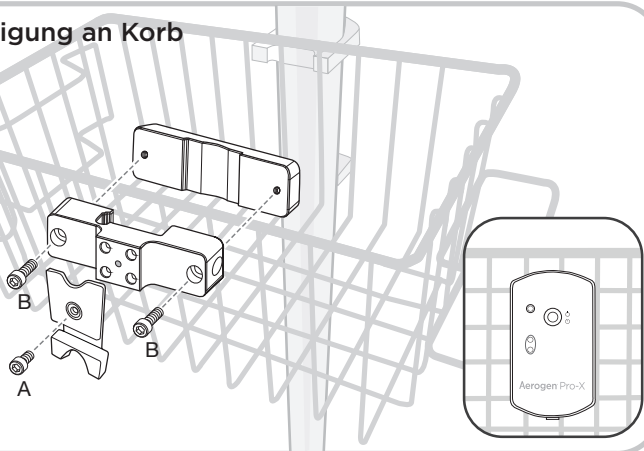
P/N 30-1689 Rev B.01

Halterungskomponenten		Stange	Korb	Schiene
	Frontplatte	✓	✓	✓
	Rückplatte	✓	✓	✗
	Verbindungsstück	✓	✓	✓
	Schraube A M5 x 10 mm	✓	✓	✓
	Schraube B M5 x 25, 30, 35, 40 mm	✓	nur 25 mm	✗
	Schraube C	✗	✗	✓
	Innensechskant- schlüssel	✓	✓	✓

Befestigung an Stange

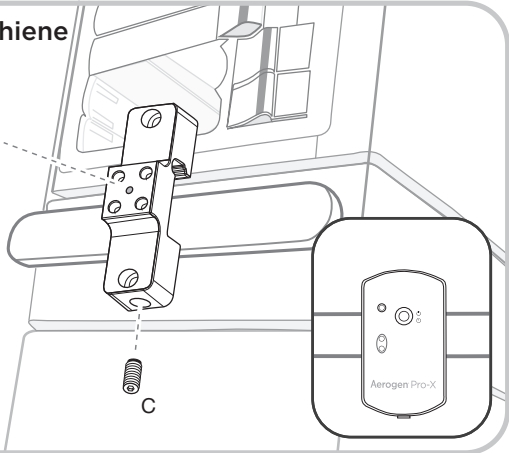
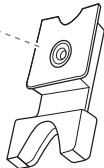


Befestigung an Korb



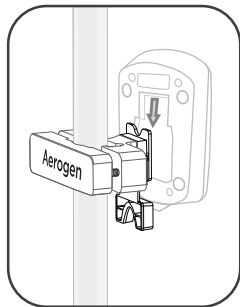
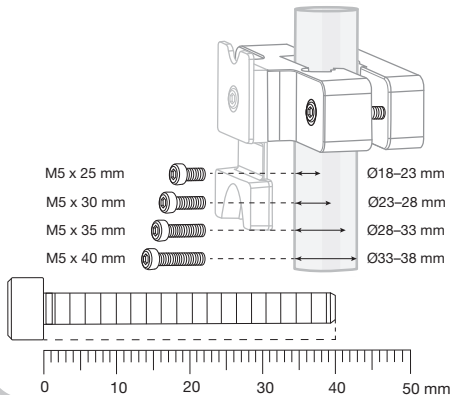
Befestigung an Schiene

A



C

Auswahl Schraube B - Stangendurchmesser



Aerogen®

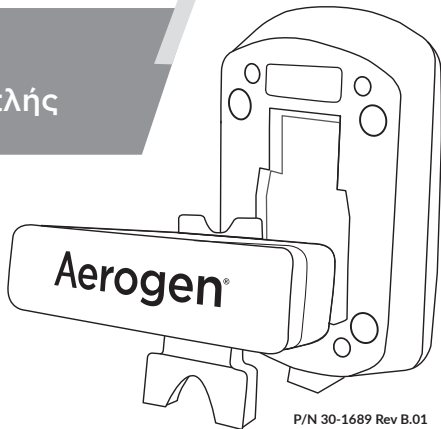
Στήριγμα πολλαπλής
τοποθέτησης



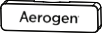


Κατασκευαστής

Aerogen Ltd.,
Galway Business Park,
Dangan, Galway,
Ιρλανδία

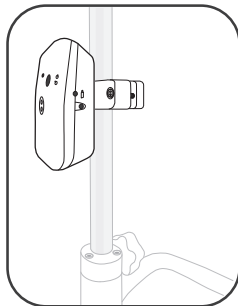
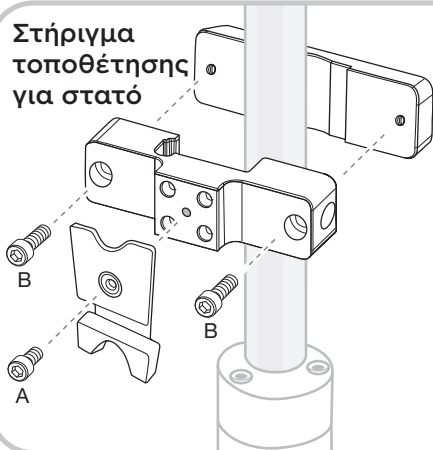
US. +1 (866) 423-7643
e. info@aerogen.com
w. www.aerogen.com



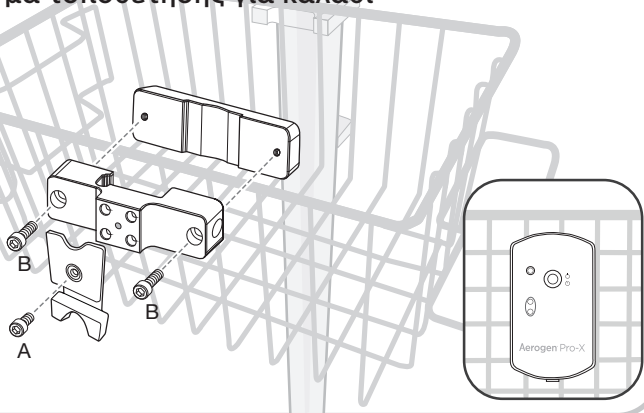
P/N 30-1689 Rev B.01

Εξαρτήματα βραχίονα		Στατό	Καλάθι	Ράγα
	Μπροστινή πλάκα	✓	✓	✓
	Πίσω πλάκα	✓	✓	✗
	Διεπαφή	✓	✓	✓
	Βίδα Α M5 x 10 mm	✓	✓	✓
	Βίδα Β M5 x 25, 30, 35, 40 mm	✓	25 mm μόνο	✗
	Βίδα Γ	✗	✗	✓
	Κλειδί άλεν	✓	✓	✓

Στήριγμα
τοποθέτησης
για στατό

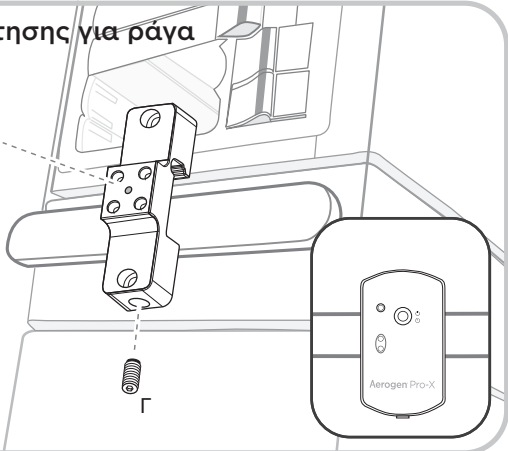
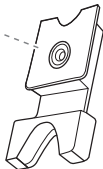


Στήριγμα τοποθέτησης για καλάθι



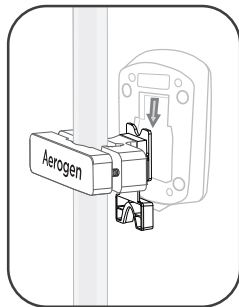
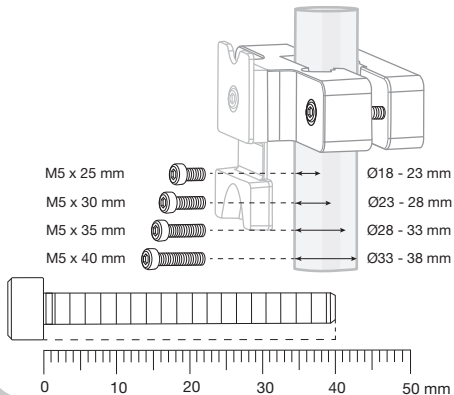
Στήριγμα τοποθέτησης για ράγα

A



B

Επιλογή βίδας Β - Διάμετρος στατό



Aerogen®

Soporte de montaje múltiple



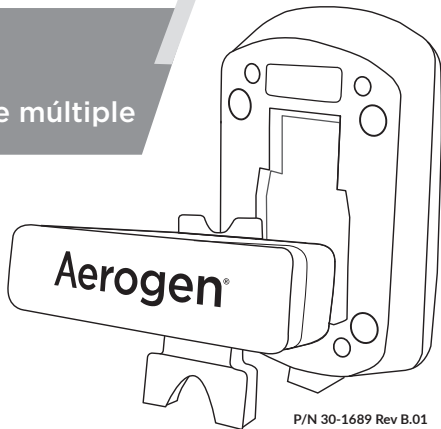
Fabricante

Aerogen Ltd.,
Galway Business Park,
Dangan, Galway,
Irlanda

US. +1 (866) 423-7643

e. info@aerogen.com

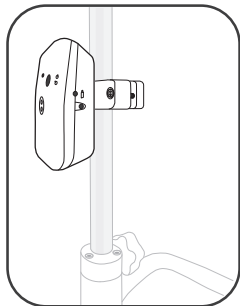
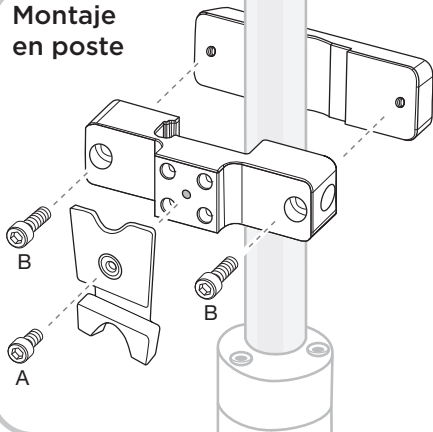
w. www.aerogen.com



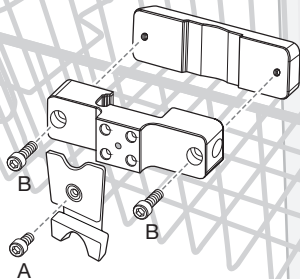
P/N 30-1689 Rev B.01

Componentes del soporte		Poste	Cesta	Riel
	Placa frontal	✓	✓	✓
	Placa trasera	✓	✓	✗
	Interfaz	✓	✓	✓
	Tornillo A M5 x 10 mm	✓	✓	✓
	Tornillo B M5 x 25, 30, 35, 40 mm	✓	25 mm solo	✗
	Tornillo C	✗	✗	✓
	Llave Allen	✓	✓	✓

Montaje en poste

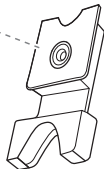


Montaje en cesta



Montaje en riel

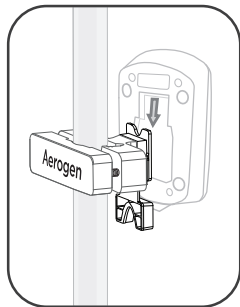
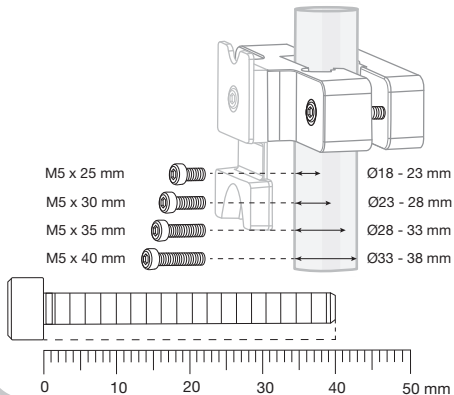
A



C



Selección del tornillo B - Diámetro del poste



Aerogen[®]

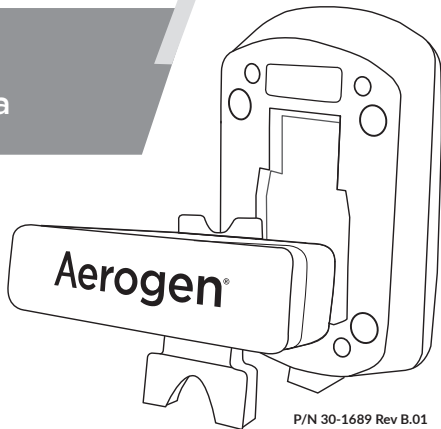
Mitme kinnitusega
kronstein



Tootja

Aerogen Ltd.,
Galway Business Park,
Dangan, Galway,
Iirimaa

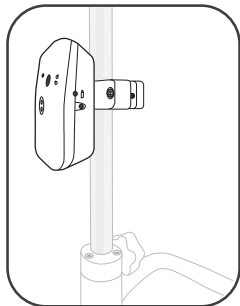
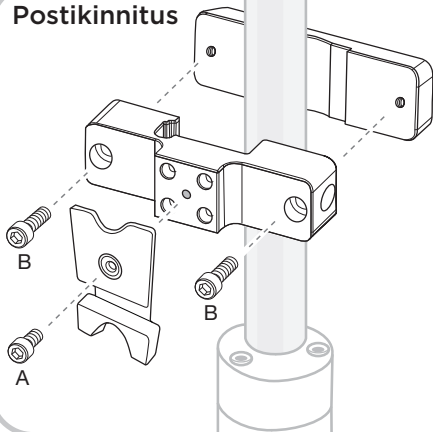
US. +1 (866) 423-7643
e. info@aerogen.com
w. www.aerogen.com



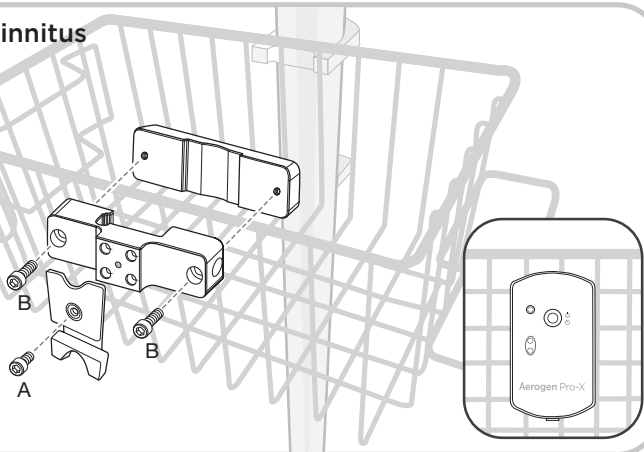
P/N 30-1689 Rev B.01

Kronsteini osad		Post	Korv	Siin
	Esiplaat	✓	✓	✓
	Tagaplaat	✓	✓	✗
	Liides	✓	✓	✓
	Kruvi A M5 x 10 mm	✓	✓	✓
	Kruvi B M5 x 25, 30, 35, 40 mm	✓	Ainult 25 mm	✗
	Kruvi C	✗	✗	✓
	Kuuskantvõti	✓	✓	✓

Postikinnitus

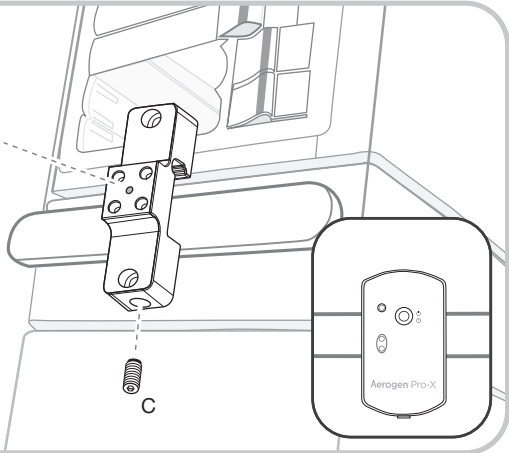
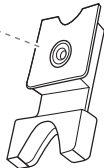


Korvikinnitus



Siinikinnitus

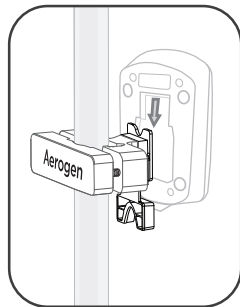
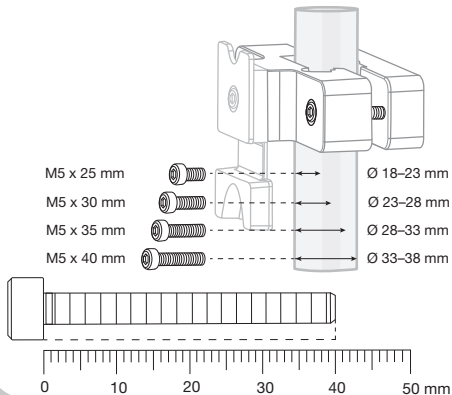
A



C

Aerogen Pro-X

Kruvi B valik - posti läbimõõt



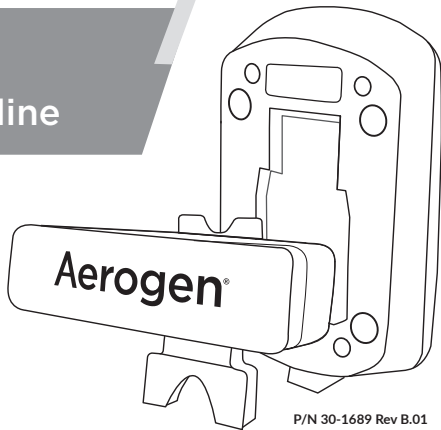
Aerogen® Moniasennusteline



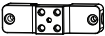
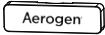





Valmistaja

Aerogen Ltd.,
Galway Business Park,
Dangan, Galway,
Irlanti

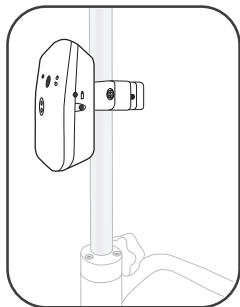
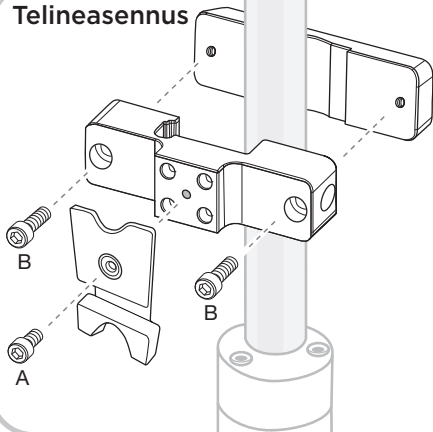
US. +1 (866) 423-7643
e. info@aerogen.com
w. www.aerogen.com



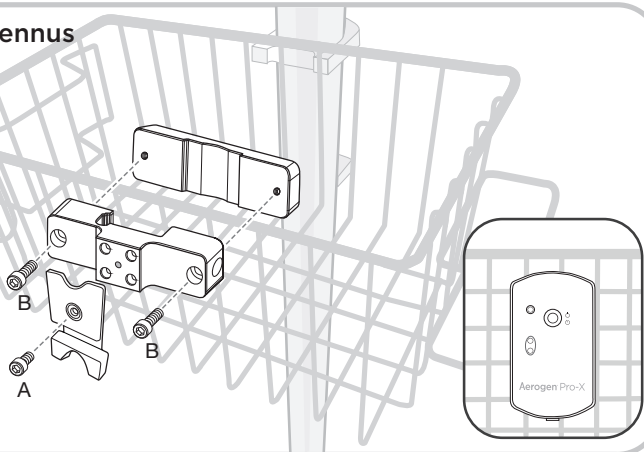
P/N 30-1689 Rev B.01

Kiinnikkeen osat		Teline	Kori	Kisko
	Etulevy	✓	✓	✓
	Takalevy	✓	✓	✗
	Liitäntä	✓	✓	✓
	Ruuvi A M5 x 10 mm	✓	✓	✓
	Ruuvi B M5 x 25, 30, 35, 40 mm	✓	25 mm vain	✗
	Ruuvi C	✗	✗	✓
	Kuusiokoloavain	✓	✓	✓

Telineasennus

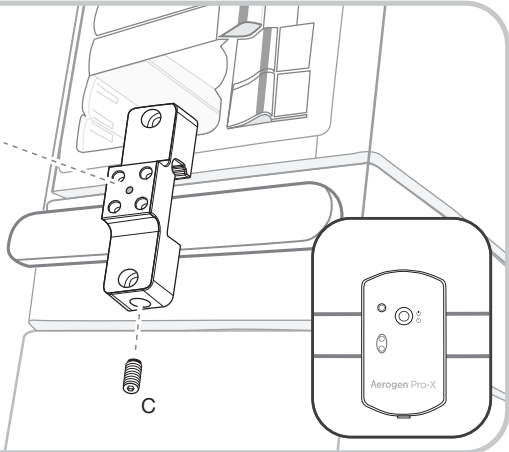
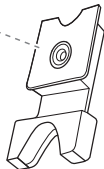


Korjasennus



Kiskoasennus

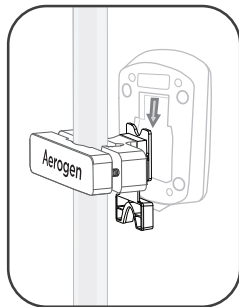
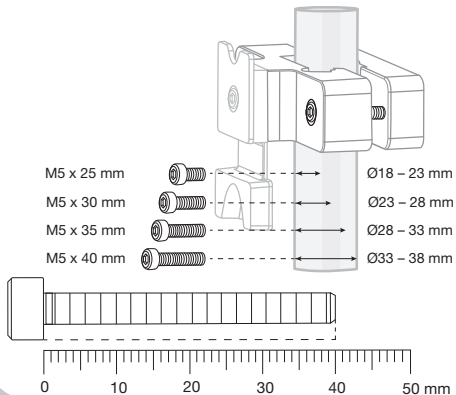
A



C

Aerogen Pro-X

Ruuvin B valinta - telineen halkaisija



Aerogen®

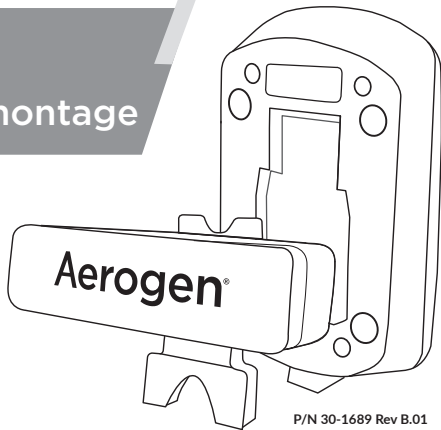
Support multimontage



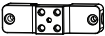
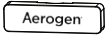





Fabricant

Aerogen Ltd.,
Galway Business Park,
Dangan, Galway,
Irlande

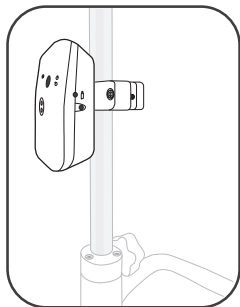
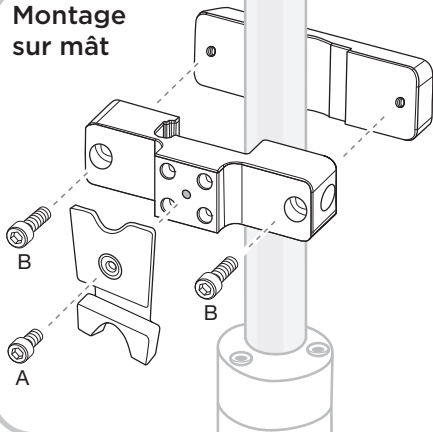
US. +1 (866) 423-7643
e. info@aerogen.com
w. www.aerogen.com



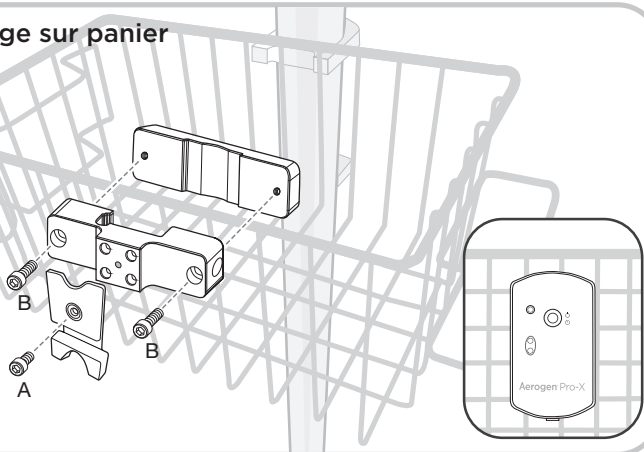
P/N 30-1689 Rev B.01

Composants du support		Mât	Panier	Rail
	Plaque avant	✓	✓	✓
	Plaque arrière	✓	✓	✗
	Interface	✓	✓	✓
	Vis A M5 x 10 mm	✓	✓	✓
	Vis B M5 x 25, 30, 35, 40 mm	✓	25 mm seulement	✗
	Vis C	✗	✗	✓
	Clé Allen	✓	✓	✓

Montage sur mât

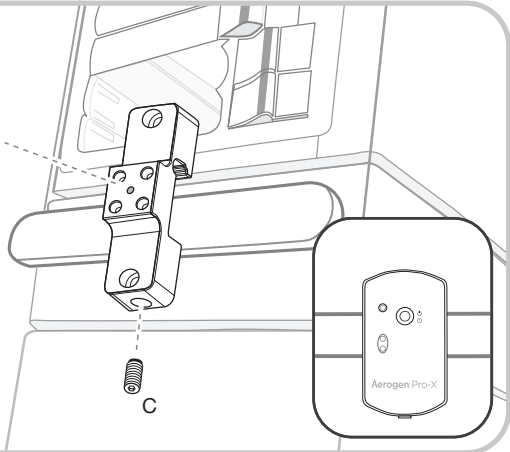
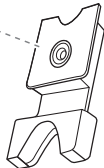


Montage sur panier



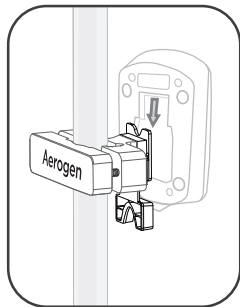
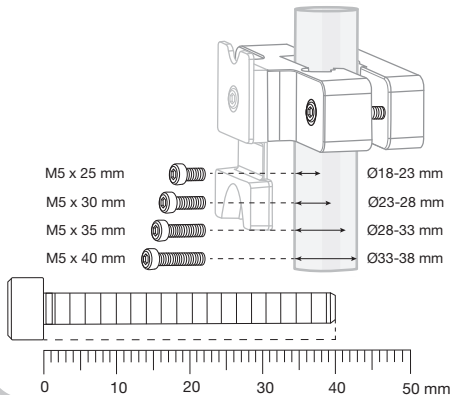
Montage sur rail

A



C

Sélection de vis B - Diamètre du mât



Aerogen®

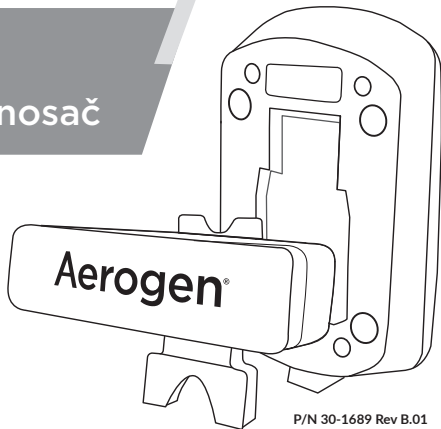
Višenamjenski nosač



Proizvođač

Aerogen Ltd.,
Galway Business Park,
Dangan, Galway,
Irska

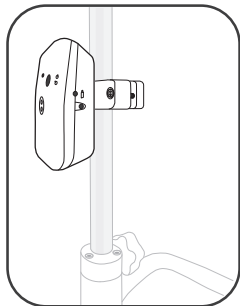
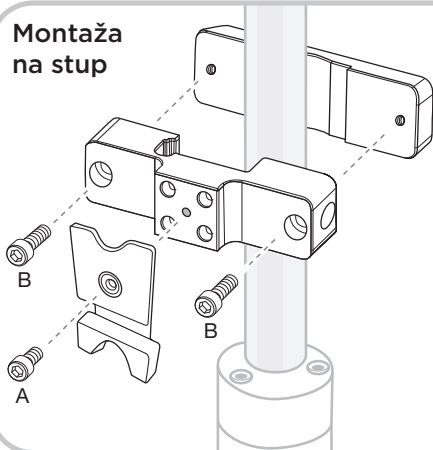
US. +1 (866) 423-7643
e. info@aerogen.com
w. www.aerogen.com



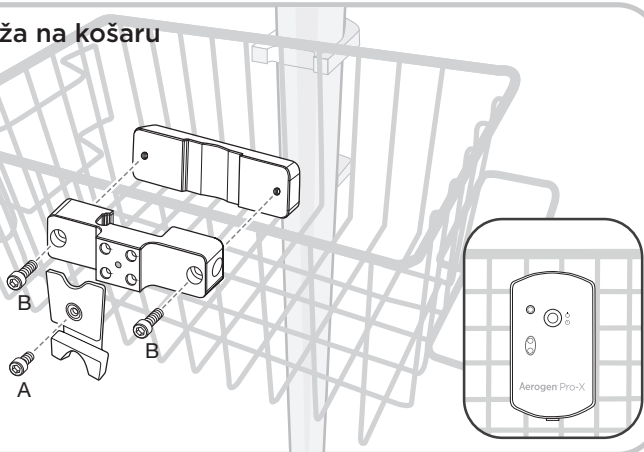
P/N 30-1689 Rev B.01

Dijelovi nosača		Stup	Košara	Vodilica
	Prednja pločica	✓	✓	✓
	Stražnja pločica	✓	✓	✗
	Spojni zglob	✓	✓	✓
	Vijak A M5 x 10 mm	✓	✓	✓
	Vijak B M5 x 25, 30, 35, 40 mm	✓	25 mm samo	✗
	Vijak C	✗	✗	✓
	Imbus ključ	✓	✓	✓

Montaža na stup

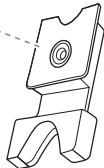


Montaža na košaru



Montaža na vodilicu

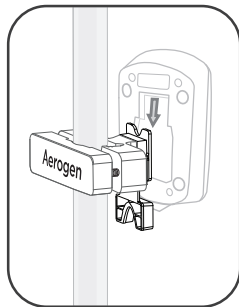
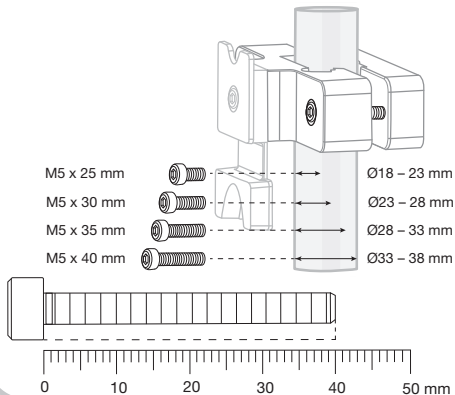
A



C



Izbor vijka B - promjer stupa



Aerogen®

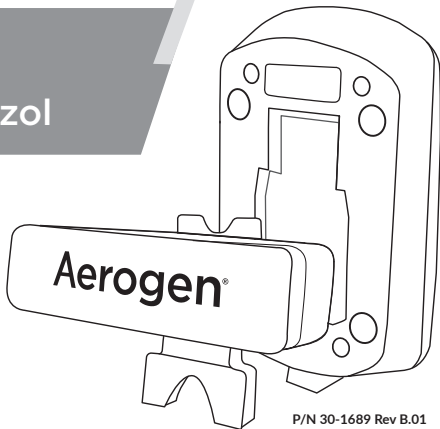
Univerzális konzol



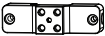
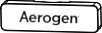





Gyártó

Aerogen Ltd.,
Galway Business Park,
Dangan, Galway,
Írország

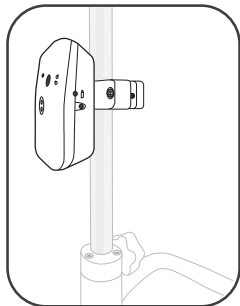
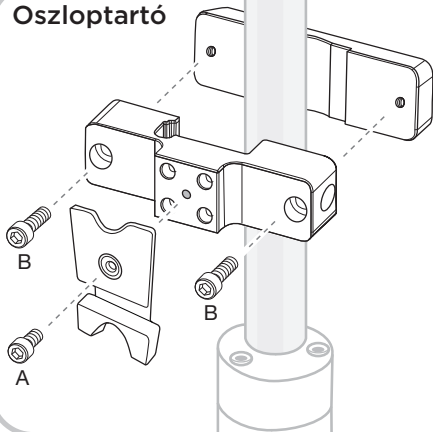
US. +1 (866) 423-7643
e. info@aerogen.com
w. www.aerogen.com



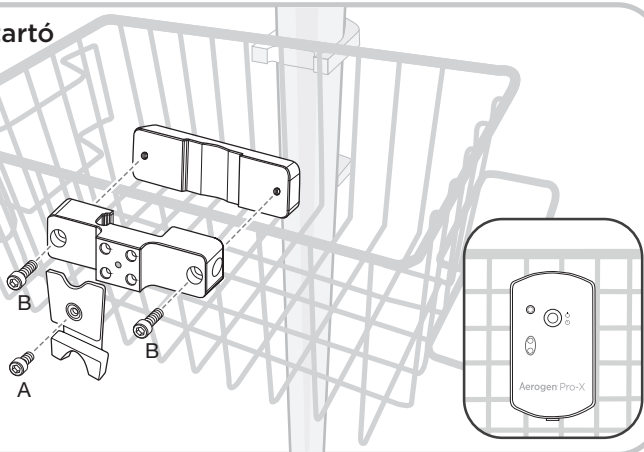
P/N 30-1689 Rev B.01

A konzol elemei		Oszlop	Kosár	Sín
	Előlap	✓	✓	✓
	Hátlap	✓	✓	✗
	Adapter	✓	✓	✓
	A csavar M5 x 10 mm	✓	✓	✓
	B csavar M5 x 25, 30, 35, 40 mm	✓	Csak 25 mm	✗
	C csavar	✗	✗	✓
	Imbuszkulcs	✓	✓	✓

Oszloptartó

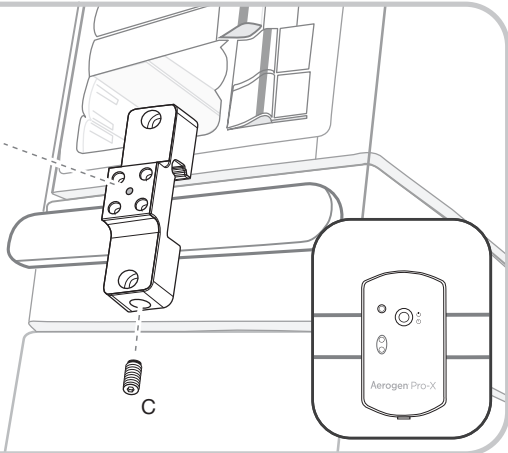
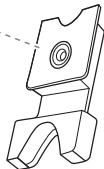


Kosártartó



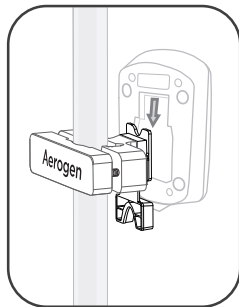
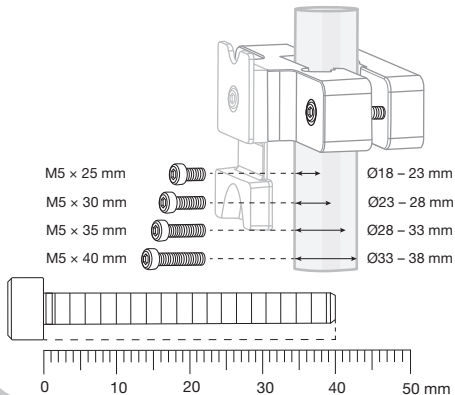
Síntartó

A



C

B csavar kiválasztása - oszlop átmérője



Aerogen®

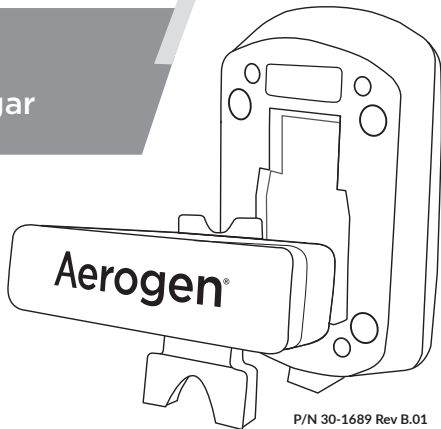
Festing fyrir margar
uppsetningar



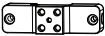
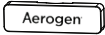





Framleiðandi

Aerogen Ltd.,
Galway Business Park,
Dangan, Galway,
Írland

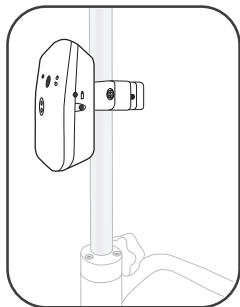
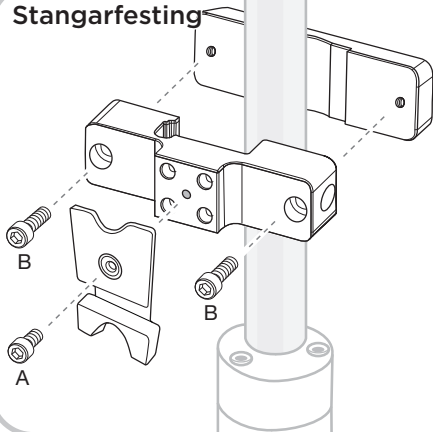
US. +1 (866) 423-7643
e. info@aerogen.com
w. www.aerogen.com



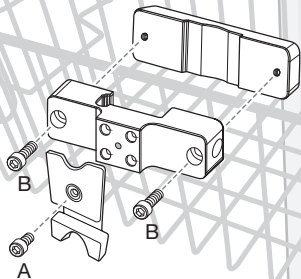
P/N 30-1689 Rev B.01

Íhlutir festingar		Stöng	Karfa	Teinn
	Framplata	✓	✓	✓
	Bakplata	✓	✓	✗
	Viðmót	✓	✓	✓
	Skrúfa A M5 x 10 mm	✓	✓	✓
	Skrúfa B M5 x 25, 30, 35, 40 mm	✓	25 mm aðeins	✗
	Skrúfa C	✗	✗	✓
	Sexkantur	✓	✓	✓

Stangarfesting

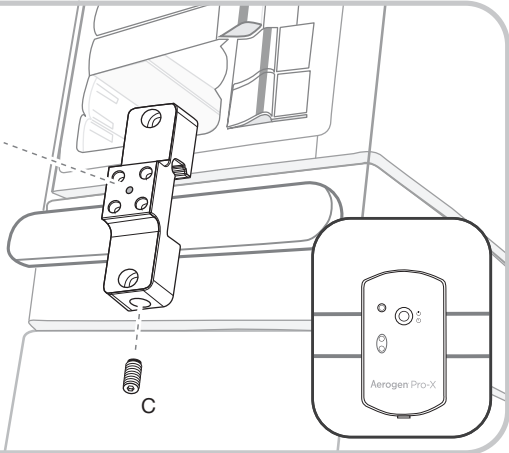
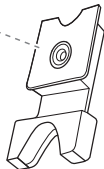


Körbfesting



Teinsfesting

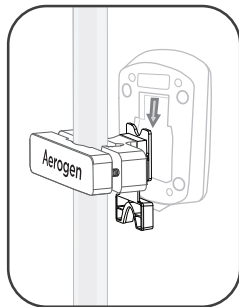
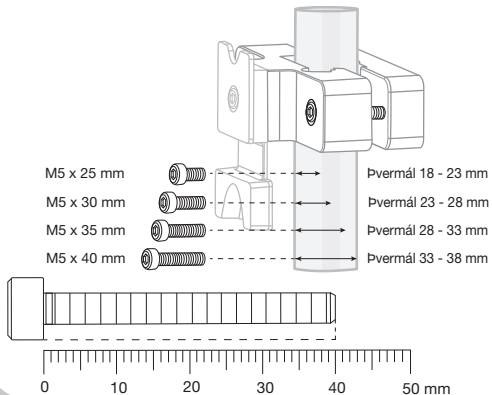
A



C



Val skrúfu B - þvermál stangar



Aerogen®

Staffa per montaggio multiplo



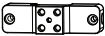
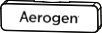





Produttore

Aerogen Ltd.,
Galway Business Park,
Dangan, Galway,
Irlanda

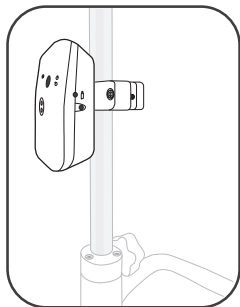
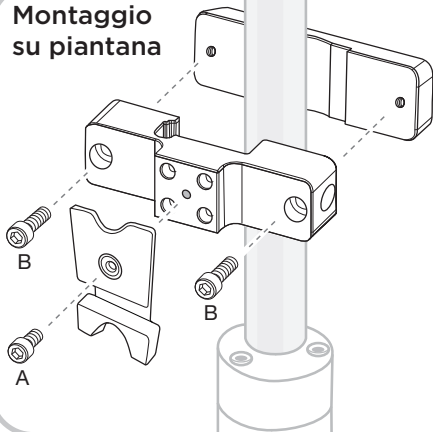
US. +1 (866) 423-7643
e. info@aerogen.com
w. www.aerogen.com



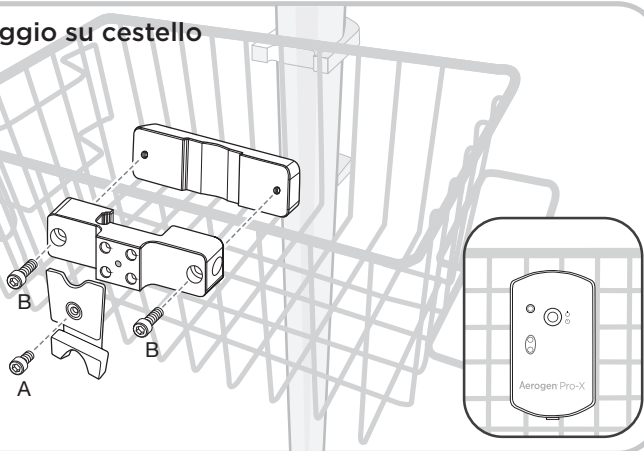
P/N 30-1689 Rev B.01

Componenti della staffa		Piantana	Cestello	Sponda
	Piastra frontale	✓	✓	✓
	Piastra posteriore	✓	✓	✗
	Interfaccia	✓	✓	✓
	Vite A M5 x 10 mm	✓	✓	✓
	Vite B M5 x 25, 30, 35, 40 mm	✓	25 mm soltanto	✗
	Vite C	✗	✗	✓
	Chiave a brugola	✓	✓	✓

Montaggio su piantana

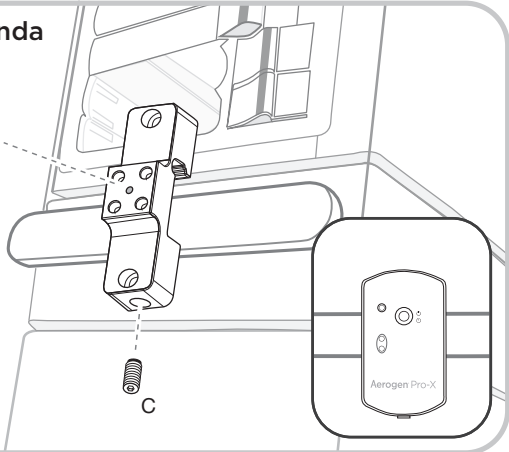
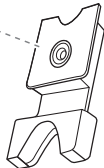


Montaggio su cestello



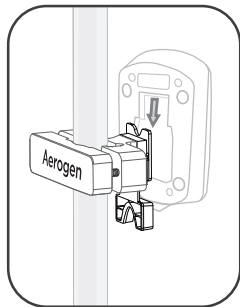
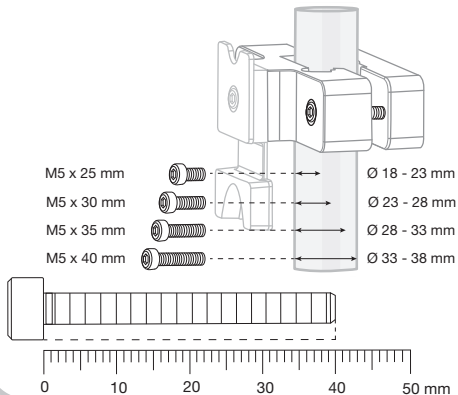
Montaggio su sponda

A



C

Selezione della vite B - Diametro della piantana



Aerogen®

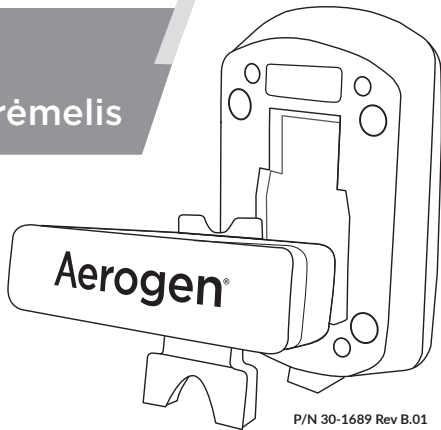
Daugiafunkcis rēmelis



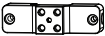
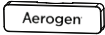





Gamintojas

Aerogen Ltd.,
Galway Business Park,
Dangan, Galway,
Airija

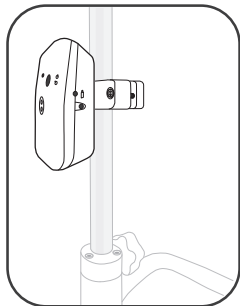
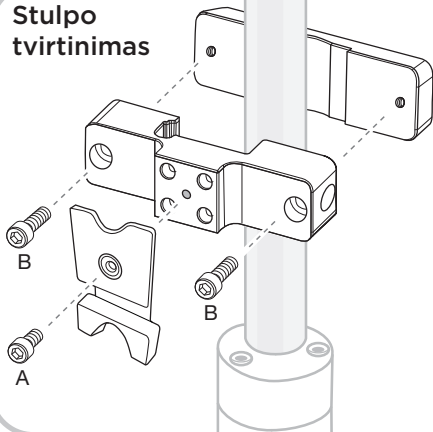
US. +1 (866) 423-7643
e. info@aerogen.com
w. www.aerogen.com



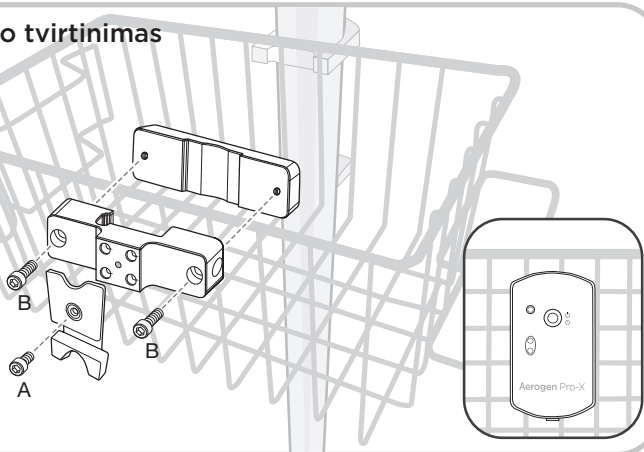
P/N 30-1689 Rev B.01

Rėmelio komponentai		Stulpas	Krepšys	Bėgelis
	Priekinė plokštė	✓	✓	✓
	Galinė plokštė	✓	✓	✗
	Šąsaja	✓	✓	✓
	A varžtas M5 x 10 mm	✓	✓	✓
	B varžtas M5 x 25, 30, 35, 40 mm	✓	25 mm tik	✗
	C varžtas	✗	✗	✓
	Šešiakampis raktas	✓	✓	✓

Stulpo tvirtinimas

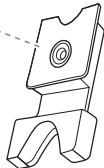


Krepšio tvirtinimas

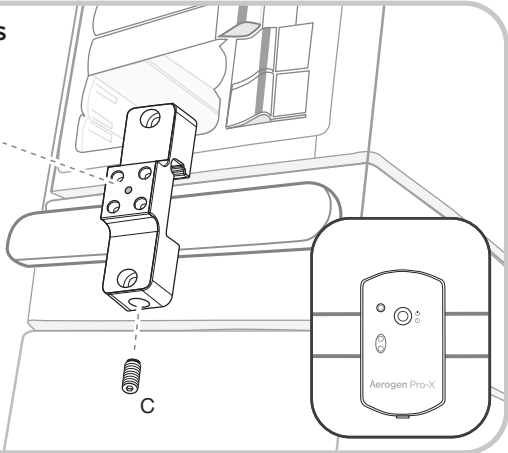


Bėgelio tvirtinimas

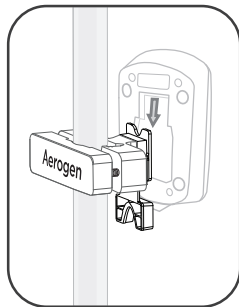
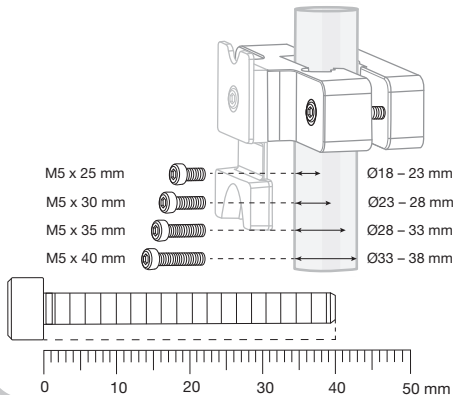
A



C



Varžto B pasirinkimas - stulpo skersmuo



Aerogen®

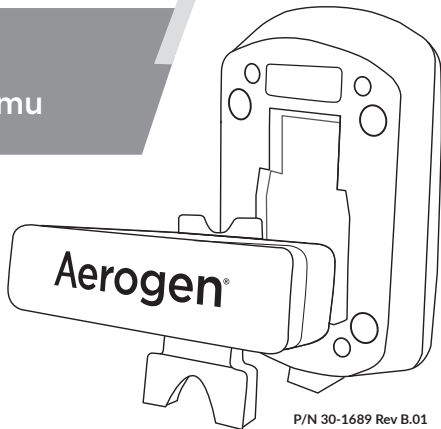
Vairāku stiprinājumu kronšteins



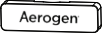


Ražotājs

Aerogen Ltd.,
Galway Business Park,
Dangan, Galway,
Īrija

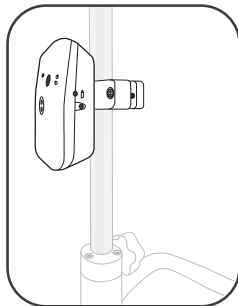
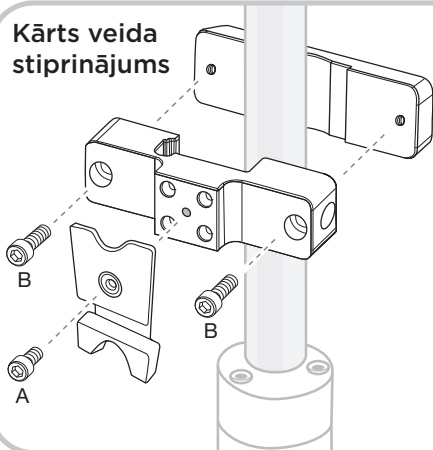
US. +1 (866) 423-7643
e. info@aerogen.com
w. www.aerogen.com



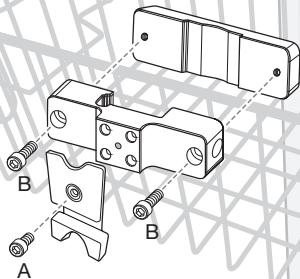
P/N 30-1689 Rev B.01

Kronšteina sastāvdaļas		Kārts	Grozis	Sliede
	Priekšējā plāksne	✓	✓	✓
	Aizmugurējā plāksne	✓	✓	✗
	Saskarne	✓	✓	✓
	A skrūve M5 x 10 mm	✓	✓	✓
	B skrūve M5 x 25, 30, 35, 40 mm	✓	25 mm (tikai)	✗
	C skrūve	✗	✗	✓
	Seškante	✓	✓	✓

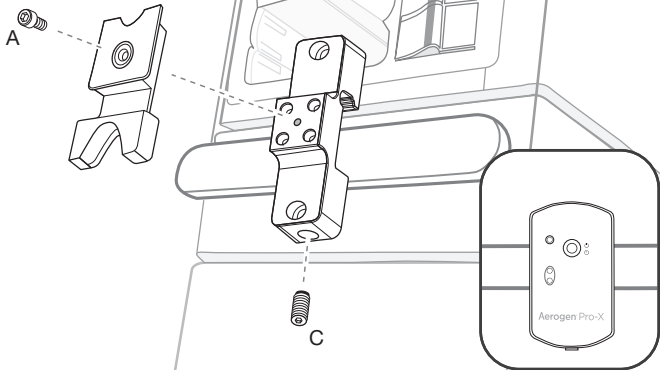
**Kārts veida
stiprinājums**



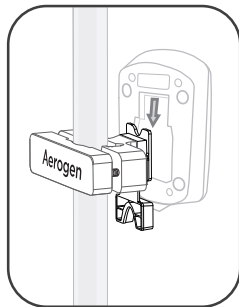
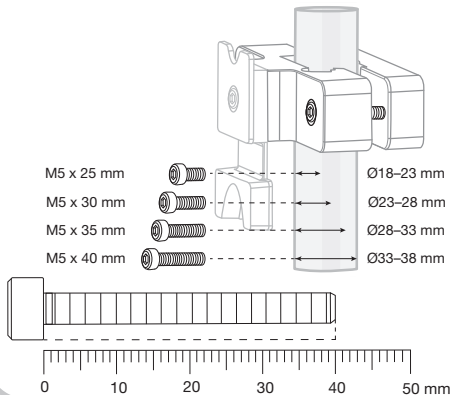
Groza veida stiprinājums



Sliežu veida stiprinājums



B skrūves izvēle — kārts diametrs



Aerogen®

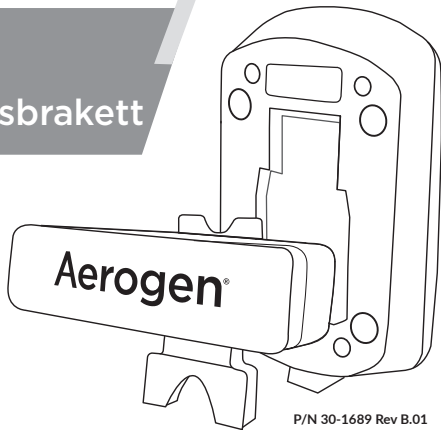
Multimonteringsbrakett



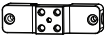
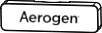





Produsent

Aerogen Ltd.,
Galway Business Park,
Dangan, Galway,
Irland

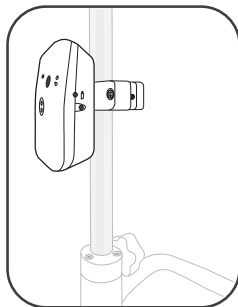
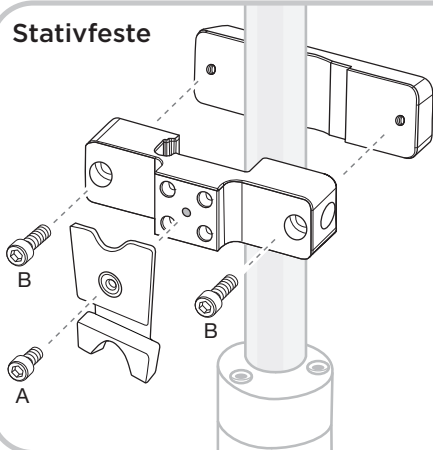
US. +1 (866) 423-7643
e. info@aerogen.com
w. www.aerogen.com



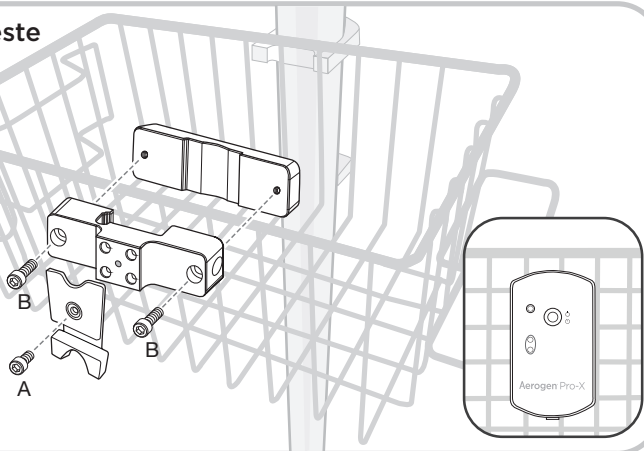
P/N 30-1689 Rev B.01

Brakettkomponenter		Stativ	Kurv	Skinne
	Frontplate	✓	✓	✓
	Bakplate	✓	✓	✗
	Grensesnitt	✓	✓	✓
	Skrue A M5 x 10 mm	✓	✓	✓
	Skrue B M5 x 25, 30, 35, 40 mm	✓	25 mm bare	✗
	Skrue C	✗	✗	✓
	Unbrakonøkkel	✓	✓	✓

Stativfeste

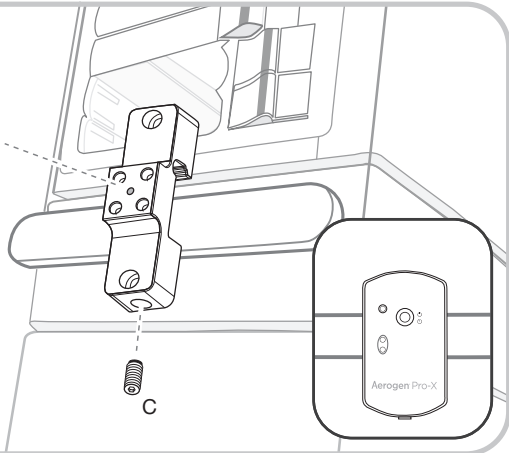
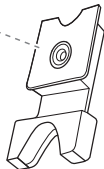


Kurvfeste



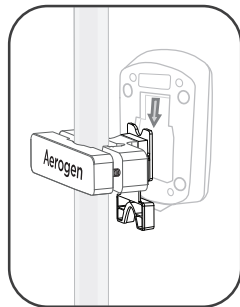
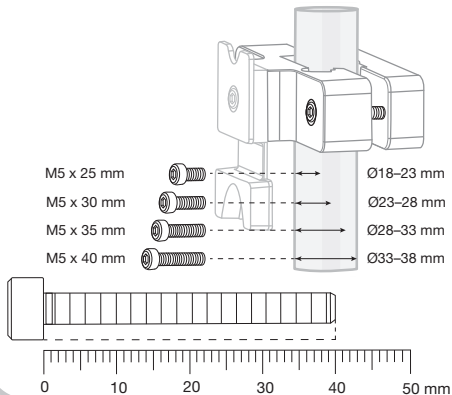
Skinnefeste

A



C

Skrue B-valg - stolpediameter



Aerogen®

Multi-bevestigingsbeugel



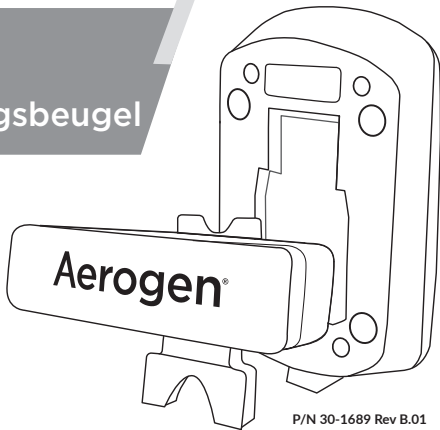
Fabrikant

Aerogen Ltd.,
Galway Business Park,
Dangan, Galway,
Ierland

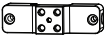
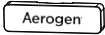





US. +1 (866) 423-7643

e. info@aerogen.com

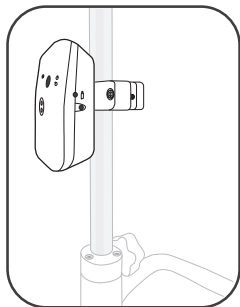
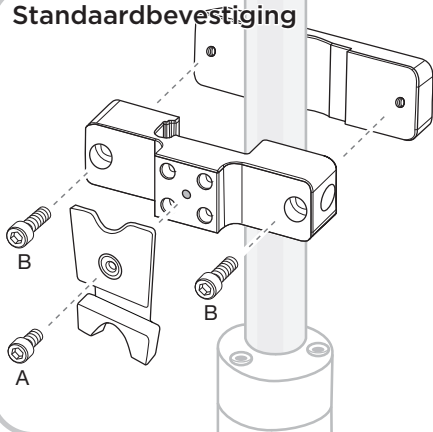
w. www.aerogen.com



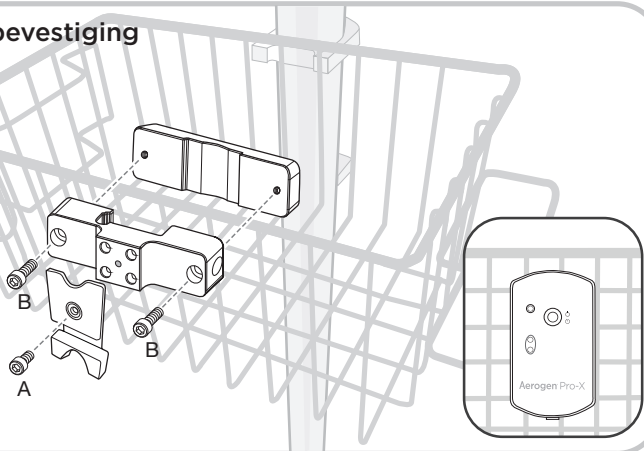
P/N 30-1689 Rev B.01

Beugelonderdelen		Standaard	Mand	Rail
	Voorplaat	✓	✓	✓
	Achterplaat	✓	✓	✗
	Interface	✓	✓	✓
	Schroef A M5 x 10 mm	✓	✓	✓
	Schroef B M5 x 25, 30, 35, 40 mm	✓	25 mm alleen	✗
	Schroef C	✗	✗	✓
	Inbussleutel	✓	✓	✓

Standaardbevestiging

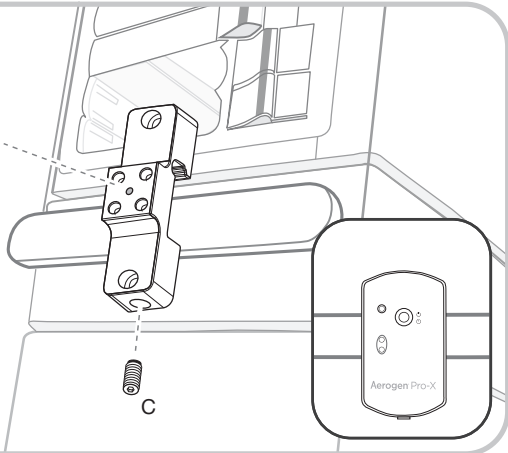
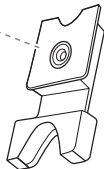


Mandbevestiging



Railbevestiging

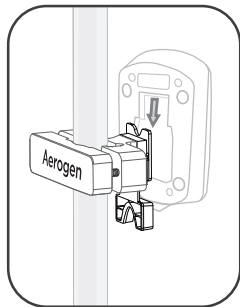
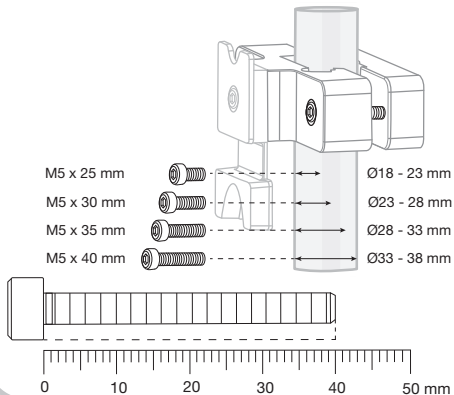
A



C

Aerogen Pro-X

Schroef B selectie - diameter standaard



Aerogen®

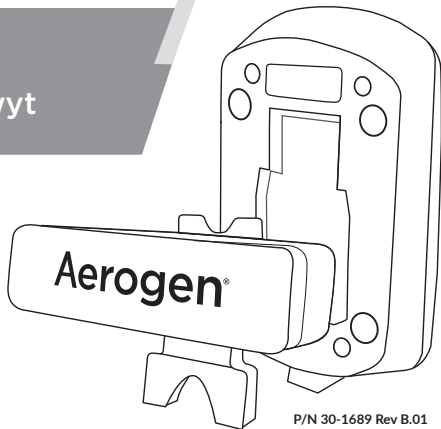
Uniwersalny uchwyt mocujący



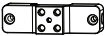
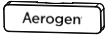





Producent

Aerogen Ltd.,
Galway Business Park,
Dangan, Galway,
Irlandia

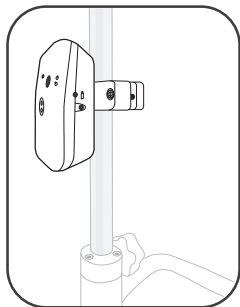
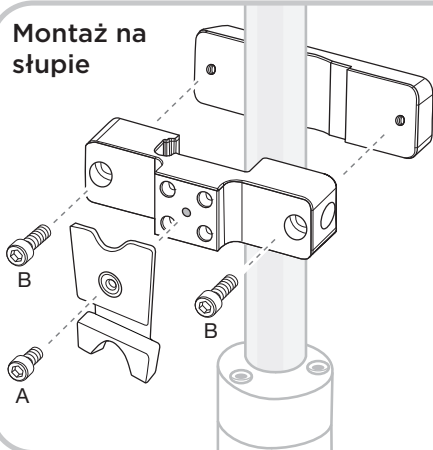
US. +1 (866) 423-7643
e. info@aerogen.com
w. www.aerogen.com



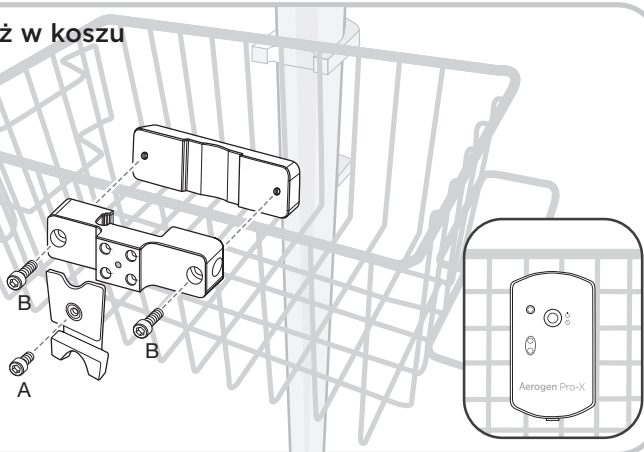
P/N 30-1689 Rev B.01

Elementy uchwytu		Słup	Kosz	Szyna
	Płytką przednia	✓	✓	✓
	Płytką tylną	✓	✓	✗
	Interfejs	✓	✓	✓
	Śruba A M5 x 10 mm	✓	✓	✓
	Śruba B M5 x 25, 30, 35, 40 mm	✓	25 mm tylko	✗
	Śruba C	✗	✗	✓
	Klucz imbusowy	✓	✓	✓

Montaż na słupie

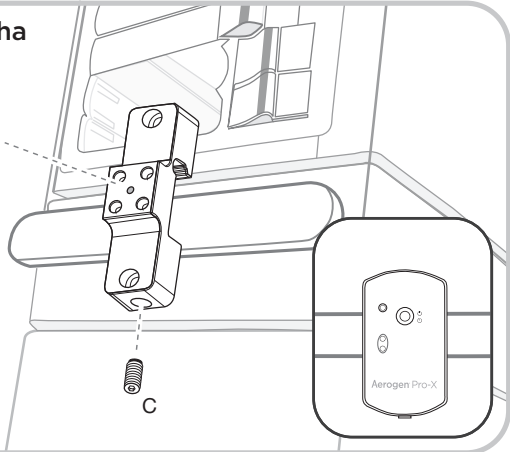
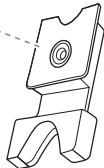


Montaż w koszu



Montagem em calha

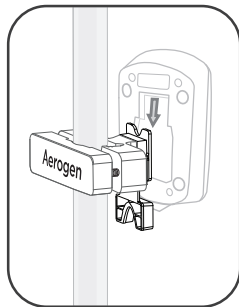
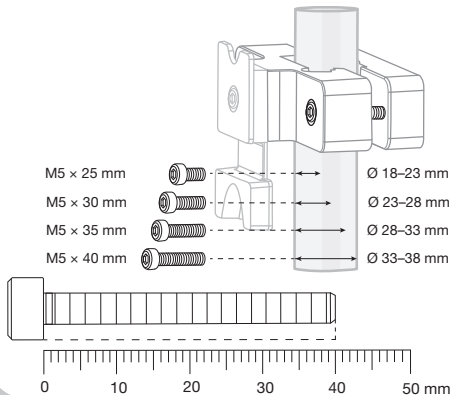
A



C

Aerogen Pro-X

Wybór śruby B – średnica słupa



Aerogen®

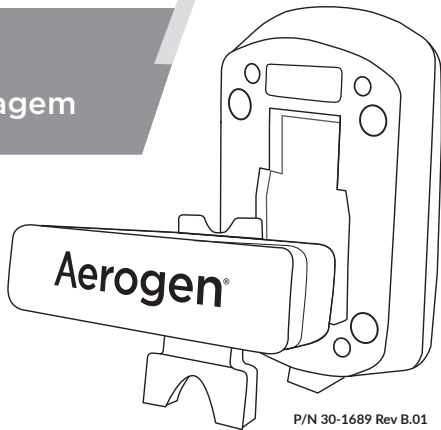
Suporte de montagem múltipla



Fabricante

Aerogen Ltd.,
Galway Business Park,
Dangan, Galway,
Irlanda

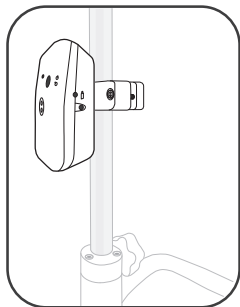
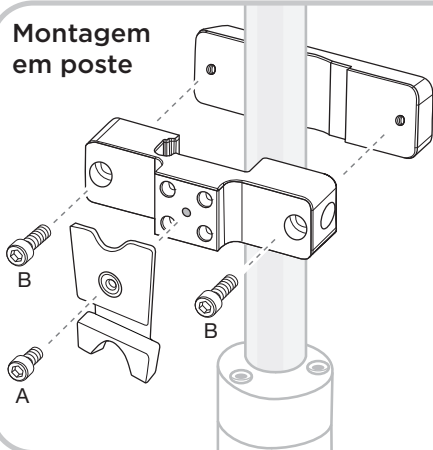
US. +1 (866) 423-7643
e. info@aerogen.com
w. www.aerogen.com



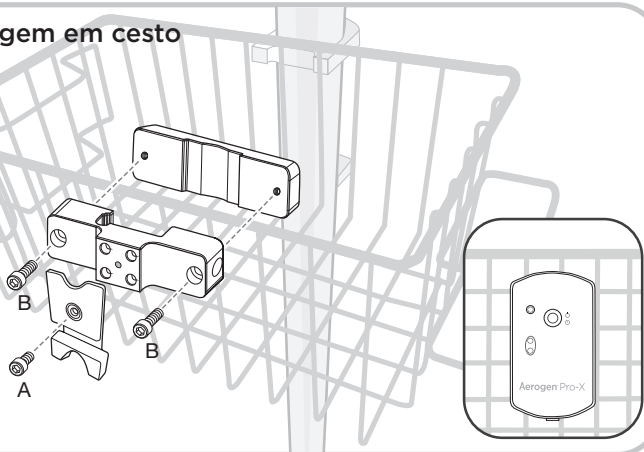
P/N 30-1689 Rev B.01

Componentes do suporte		Poste	Cesto	Calha
	Placa dianteira	✓	✓	✓
	Placa traseira	✓	✓	✗
	Interface	✓	✓	✓
	Parafuso A M5 x 10 mm	✓	✓	✓
	Parafuso B M5 x 25, 30, 35, 40 mm	✓	25 mm apenas	✗
	Parafuso C	✗	✗	✓
	Chave Allen	✓	✓	✓

Montagem em poste

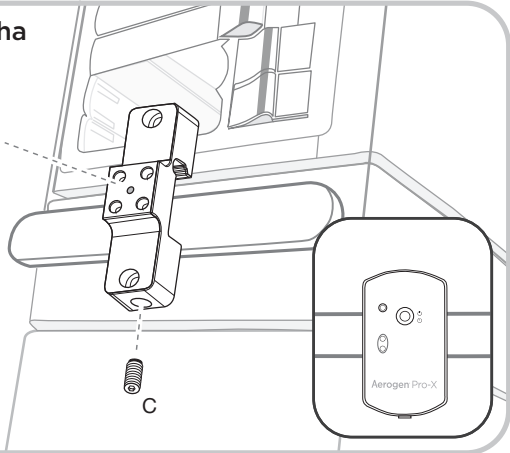
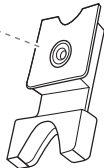


Montagem em cesto



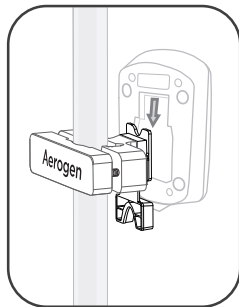
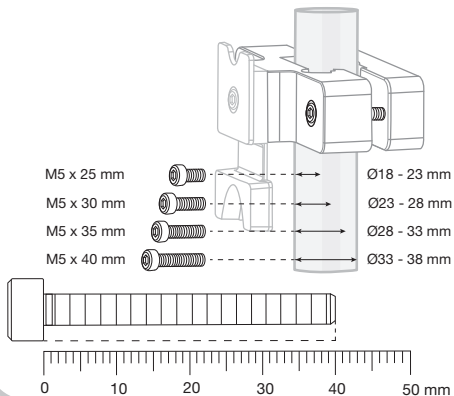
Montagem em calha

A



C

Seleção do parafuso B - Diâmetro do poste



Aerogen®

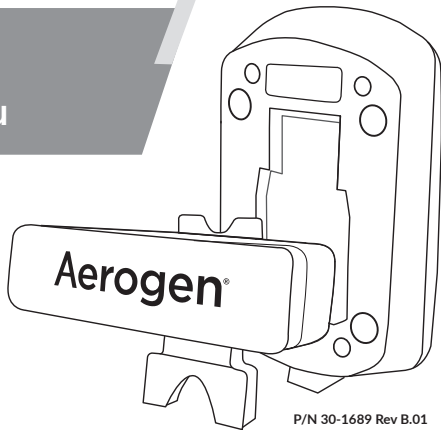
Suport multiplu



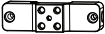
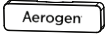





Producător

Aerogen Ltd.,
Galway Business Park,
Dangan, Galway,
Irlanda

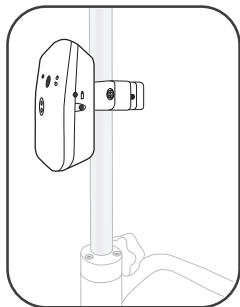
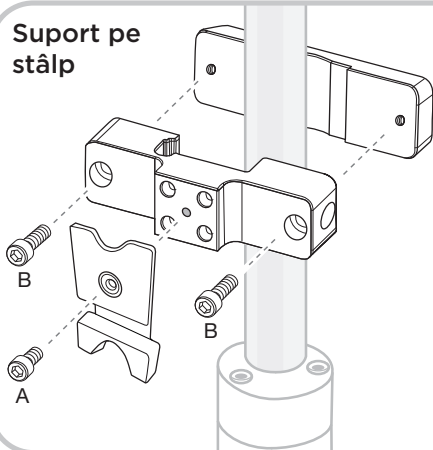
US. +1 (866) 423-7643
e. info@aerogen.com
w. www.aerogen.com



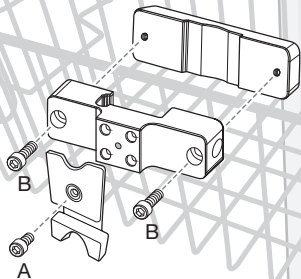
P/N 30-1689 Rev B.01

Componentele suportului		Stâlp	Coș	Șină
	Placa frontală	✓	✓	✓
	Placa posterioară	✓	✓	✗
	Interfață	✓	✓	✓
	Șurubul A M5 x 10 mm	✓	✓	✓
	Șurubul B M5 x 25, 30, 35, 40 mm	✓	25 mm numai	✗
	Șurubul C	✗	✗	✓
	Cheie imbus	✓	✓	✓

Suport pe stâlp

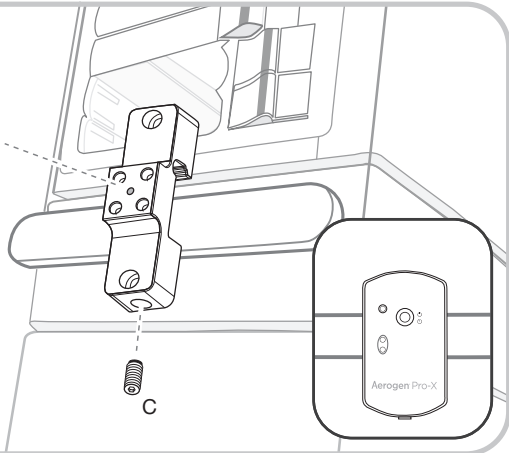
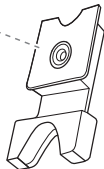


Suport pe coș



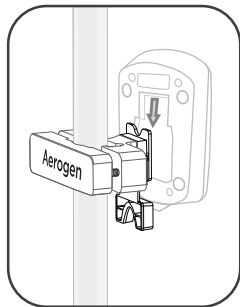
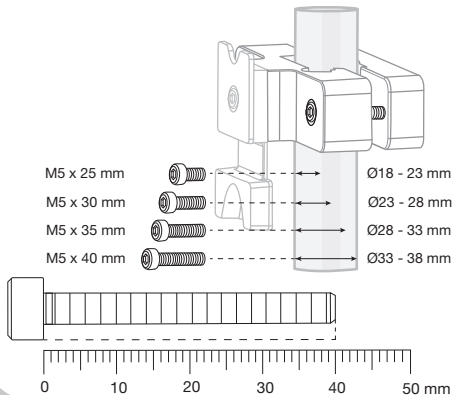
Suport pe șină

A



C

Selecția șurubului B - Diametrul stâlpului



Aerogen®

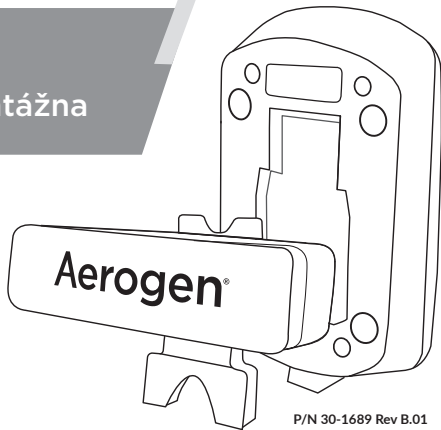
Viacnásobná montážna konzola



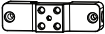
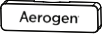





Výrobca

Aerogen Ltd.,
Galway Business Park,
Dangan, Galway,
Írsko

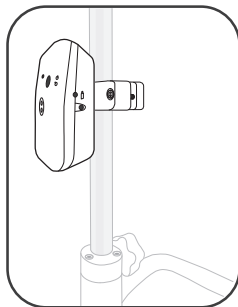
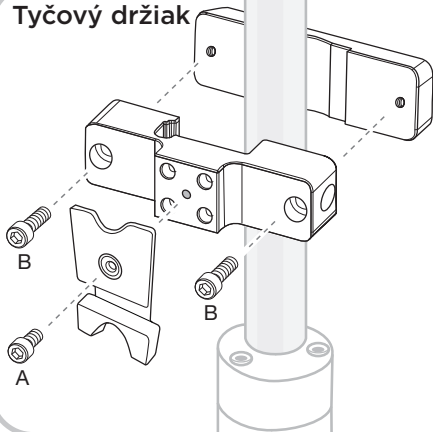
US. +1 (866) 423-7643
e. info@aerogen.com
w. www.aerogen.com



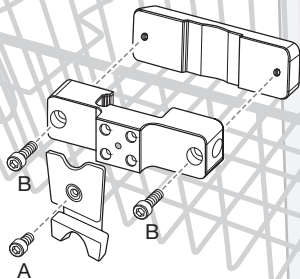
P/N 30-1689 Rev B.01

Komponenty konzoly		Tyč	Košík	Kofajnica
	Predná doska	✓	✓	✓
	Zadná doska	✓	✓	✗
	Rozhranie	✓	✓	✓
	Skrutka A M5 x 10 mm	✓	✓	✓
	Skrutka B M5 x 25, 30, 35, 40 mm	✓	25 mm iba	✗
	Skrutka C	✗	✗	✓
	Imbusový kľúč	✓	✓	✓

Tyčový držiak

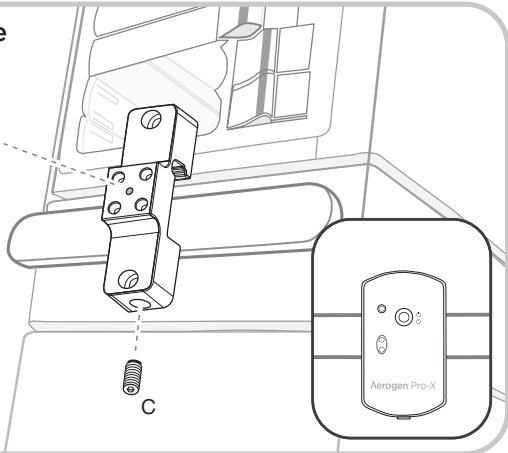
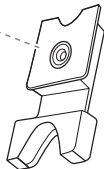


Držiak na košík



Držiak na koľajnice

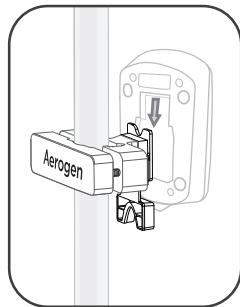
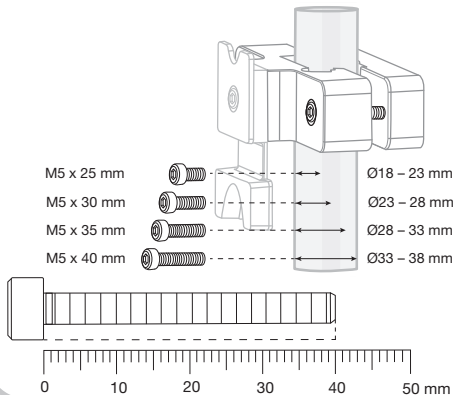
A



C

Aerogen Pro-X

Výber skrutky B - Priemer tyče



Aerogen®

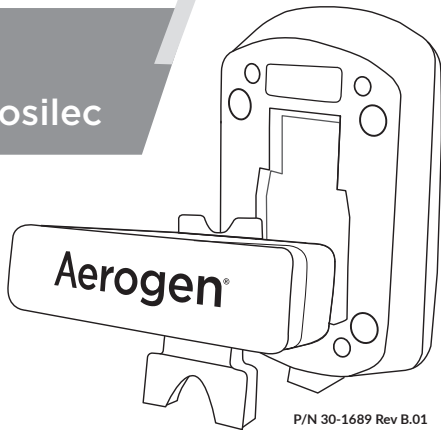
Večnamenski nosilec




Proizvajalec

Aerogen Ltd.,
Galway Business Park,
Dangan, Galway,
Irska

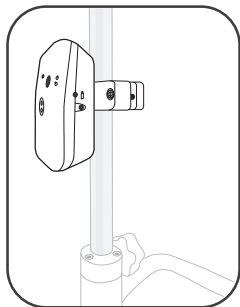
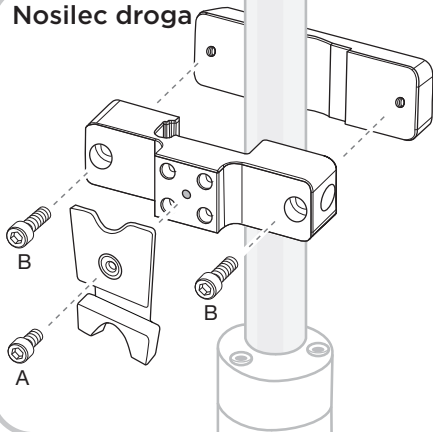
US. +1 (866) 423-7643
e. info@aerogen.com
w. www.aerogen.com



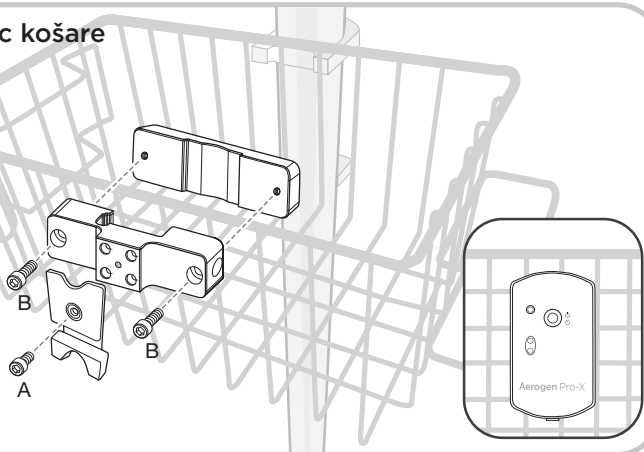
P/N 30-1689 Rev B.01

Komponente nosilca		Drog	Košara	Vodilo
	Sprednja plošča	✓	✓	✓
	Zadnja plošča	✓	✓	✗
	Vmesnik	✓	✓	✓
	Vijak A M5 x 10 mm	✓	✓	✓
	Vijak B M5 x 25, 30, 35, 40 mm	✓	25 mm samo	✗
	Vijak C	✗	✗	✓
	Šestkotni ključ	✓	✓	✓

Nosilec droga

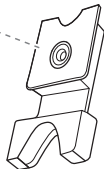


Nosilec košare

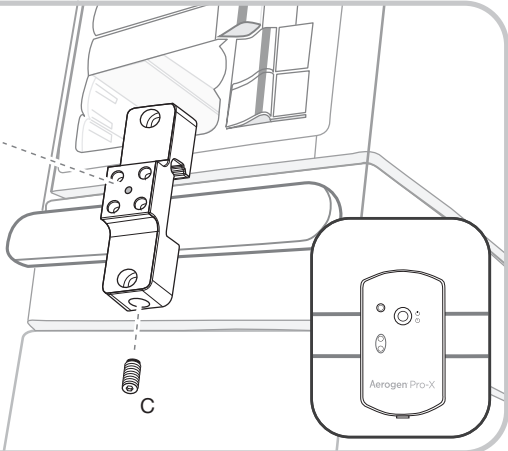


Nosilec vodila

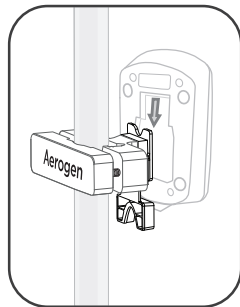
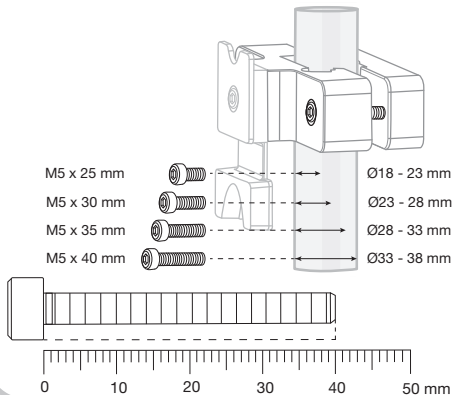
A



C



Izbira vijaka B - premer droga



Aerogen®

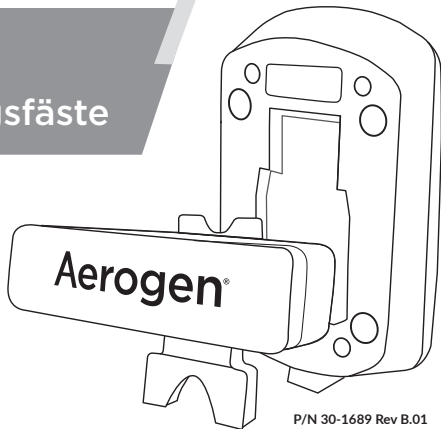
Multimonteringsfäste



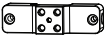
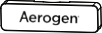





Tillverkare

Aerogen Ltd.,
Galway Business Park,
Dangan, Galway,
Irland

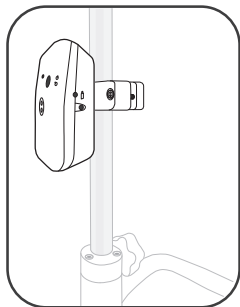
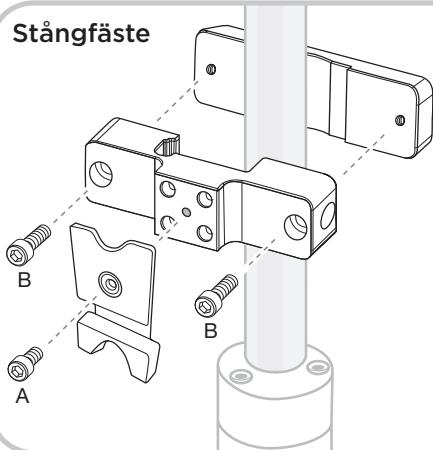
US. +1 (866) 423-7643
e. info@aerogen.com
w. www.aerogen.com



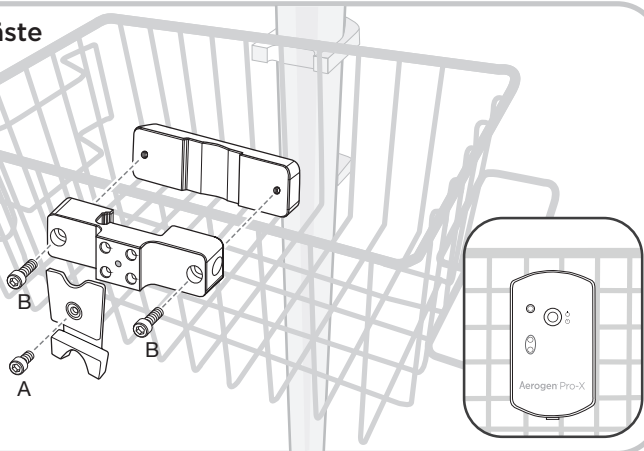
P/N 30-1689 Rev B.01

Fästets komponenter		Stång	Korg	Skena
	Frontplåt	✓	✓	✓
	Bakplåt	✓	✓	✗
	Gränssnitt	✓	✓	✓
	Skruv A M5 x 10 mm	✓	✓	✓
	Skruv B M5 x 25, 30, 35, 40 mm	✓	25 mm endast	✗
	Skruv C	✗	✗	✓
	Insexnyckel	✓	✓	✓

Stångfäste

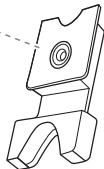


Korgfäste



Skenfäste

A

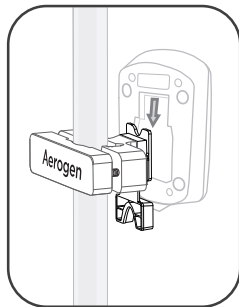
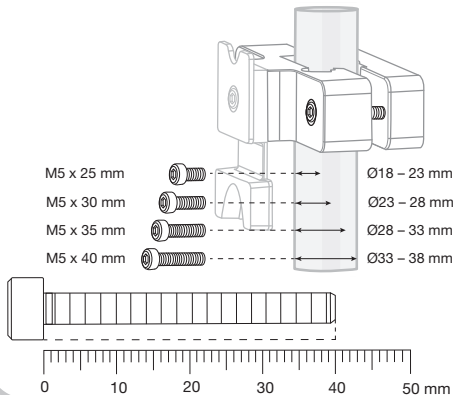


C



Aerogen Pro-X

Val av skruv B - Stångdiameter



Aerogen®

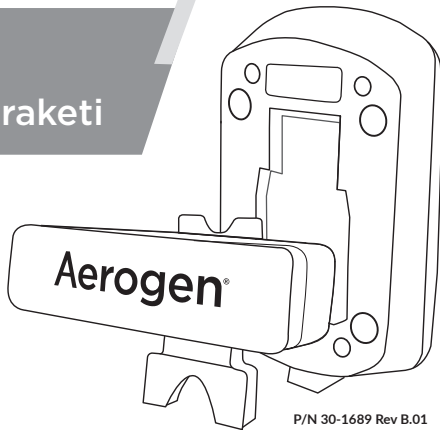
Çoklu Montaj Braketi



İmalatçı

Aerogen Ltd.,
Galway Business Park,
Dangan, Galway,
İrlanda

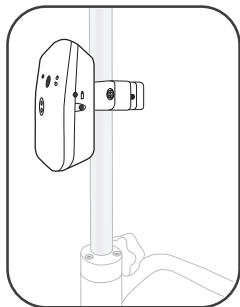
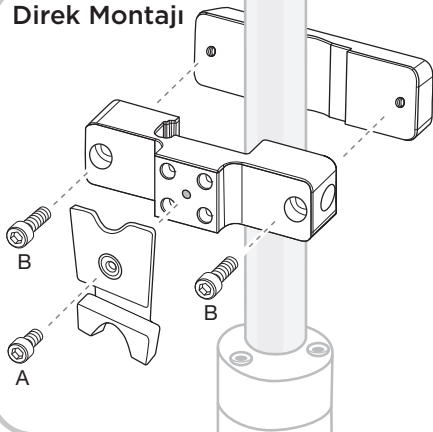
US. +1 (866) 423-7643
e. info@aerogen.com
w. www.aerogen.com



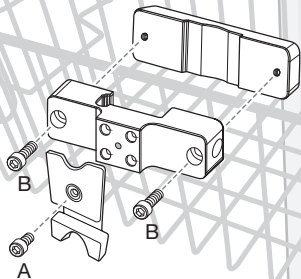
P/N 30-1689 Rev B.01

Braket Bileşenleri		Direk	Sepet	Ray
	Ön Plaka	✓	✓	✓
	Arka Plaka	✓	✓	✗
	Ara birim	✓	✓	✓
	Vida A M5 x 10 mm	✓	✓	✓
	Vida B M5 x 25, 30, 35, 40 mm	✓	sadece 25 mm	✗
	Vida C	✗	✗	✓
	Alyan Anahtarı	✓	✓	✓

Direk Montajı

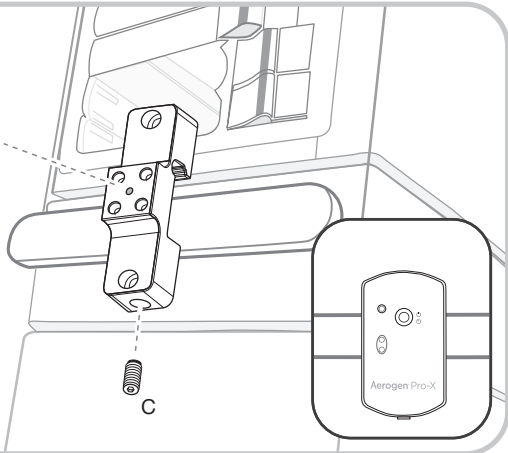
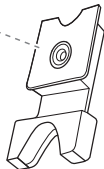


Sepet Montajı



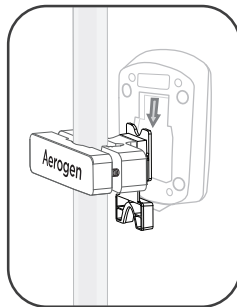
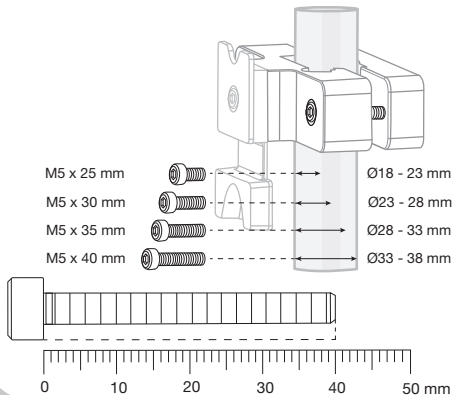
Ray Montajı

A



C

Vida B Seçimi - Direk Çapı



Aerogen®



Manufacturer

Aerogen® Ltd.
Galway Business Park
Dangan, Galway, H91 HE94
Ireland

US. +1 (866) 423-7643

e. info@aerogen.com

y. www.aerogen.com

© October 2023 Aerogen Ltd.
AG-PX1187-US
P/N 30-1689 Rev B.01